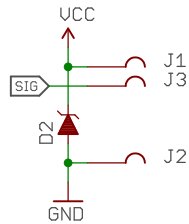
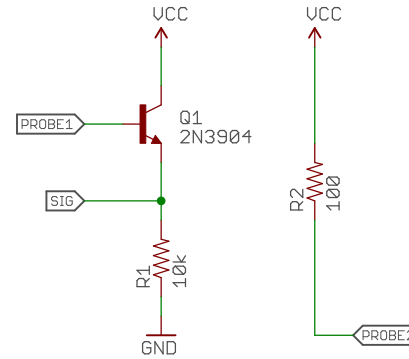


Connectors



DO NOT POWER CONSTANTLY
 It is recommended that you use a digital GPIO pin on whichever microcontroller or IC you're using to control the sensor to power the sensor.

Probe Circuit UCC: 3.3-5 V



Rod length and spacing were not the most significant variables.
 In general you want the probes long enough to reach the moist soil and not so close together that they are likely to touch accidentally. Keeping them about an inch apart works great.
 The big variable is the composition of the soil itself (especially salts), so ideally you would calibrate for each type of soil.
 -Rob Faludi

Based off the Soil Moisture Circuit found at: <http://www.faludi.com/2006/11/02/moisture-sensor-circuit/>

PCB design inspired by the Soil Moisture Sensor from DFRobot
http://www.dfrobot.com/index.php?route=product/product&product_id=599



Released under the Creative Commons
 Attribution Share-Alike 4.0 License
<https://creativecommons.org/licenses/by-sa/4.0/>

TITLE: SparkFun_Soil_Moisture_Sensor

Design by: Joel Bartlett
 Revision By: Andy England

REV:
 v10

Date: 6/6/2019 7:31 PM

Sheet: 1/1