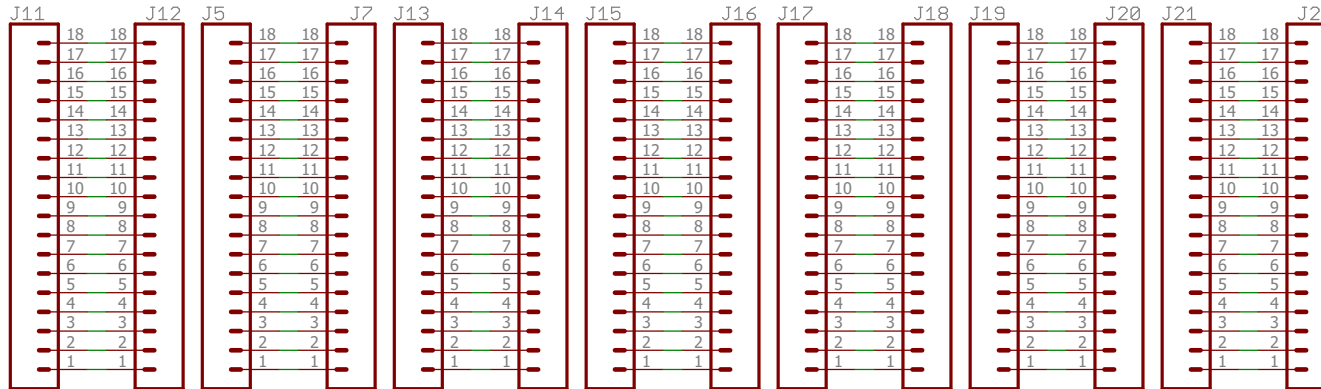
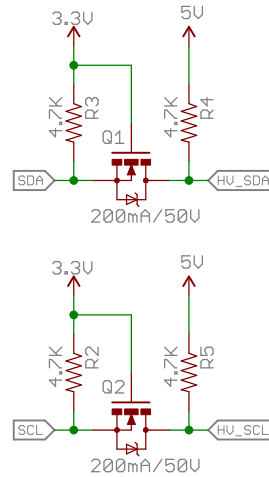


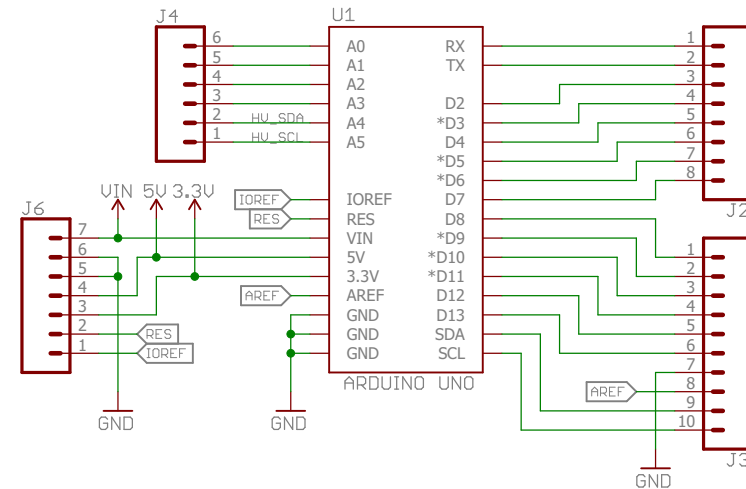
Prototyping Connections



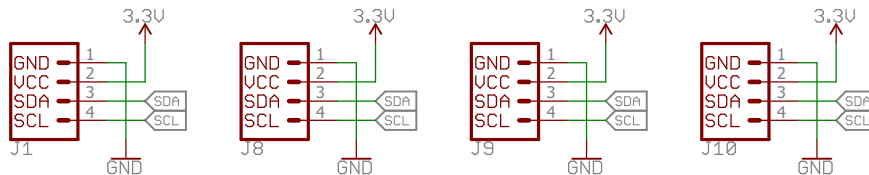
Logic Level Conversion



Arduino



I2C Connectors



Released under the Creative Commons Attribution Share-Alike 4.0 License
<https://creativecommons.org/licenses/by-sa/4.0/>

TITLE: Qwiic Shield for Arduino

Design by: N. Seidle

REV:
x10



open hardware

Date: 4/3/2017 11:09 AM

Sheet: 1/1