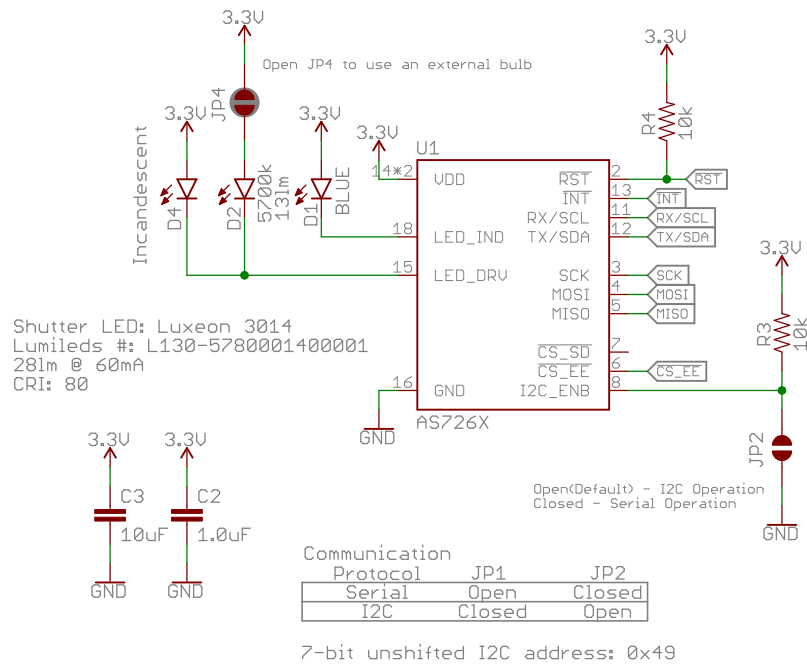
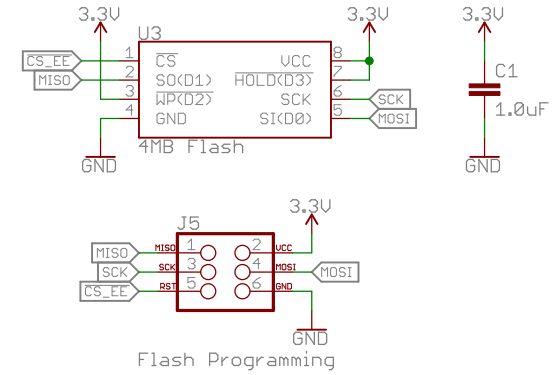


AS726x Spectral Sensor

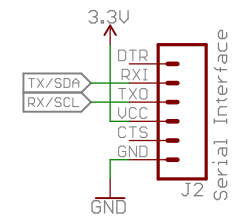
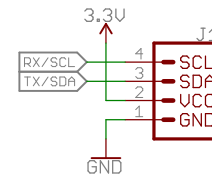
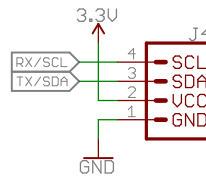
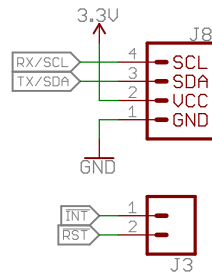
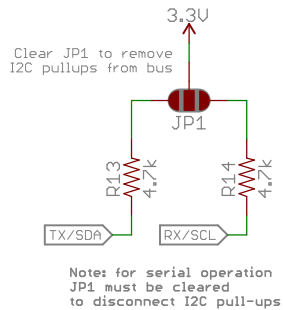


4mbit Flash Memory



The AS726x must be held in reset while programming flash

Interfaces



Released under the Creative Commons Attribution Share-Alike 4.0 License
<https://creativecommons.org/licenses/by-sa/4.0/>



TITLE: Qwiic_Spectral_Sensor-AS726x

Design by: Nathan Seidle

REV:
X10

Date: 4/5/2017 9:29 AM

Sheet: 1/1

