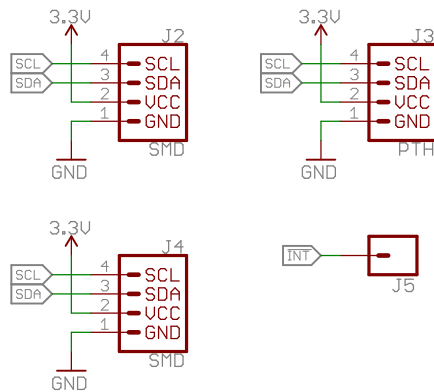


7-bit unshifted I2C address: 0x53
 I2C can be changed via software to 0x52



Released under the Creative Commons Attribution Share-Alike 4.0 License
<https://creativecommons.org/licenses/by-sa/4.0/>

TITLE: Qwiic UV Sensor - ZOPT220x

Design by: N. Seidle

REV:
X10

Date: 4/7/2017 2:33 PM

Sheet: 1/1