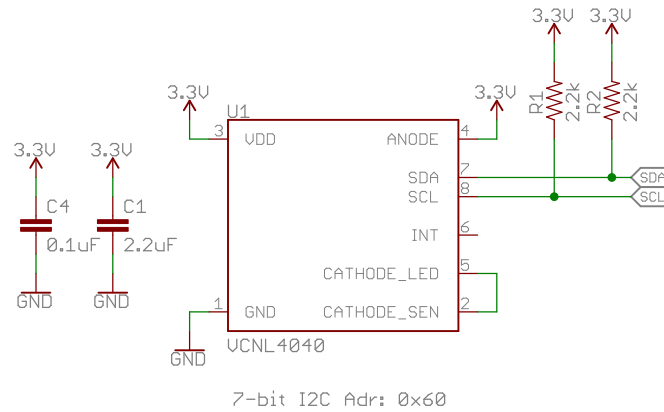
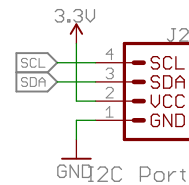


UCNL4040 IR Finger Sensor



UCC must be 2.5-3.6V



Released under the Creative Commons Attribution Share-Alike 4.0 License
<https://creativecommons.org/licenses/by-sa/4.0/>



TITLE: UCNL4040_IR_Finger_Sensor_Production

Design by: Joel Bartlett

REV:
v10

Date: 3/14/2017 3:26 PM

Sheet: 1/1