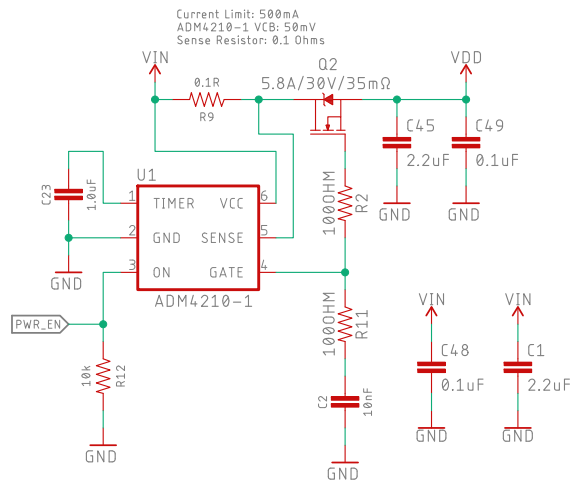
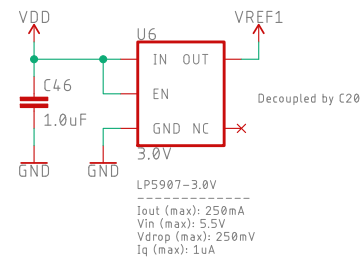
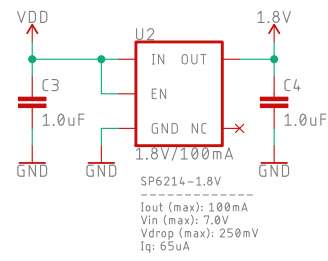


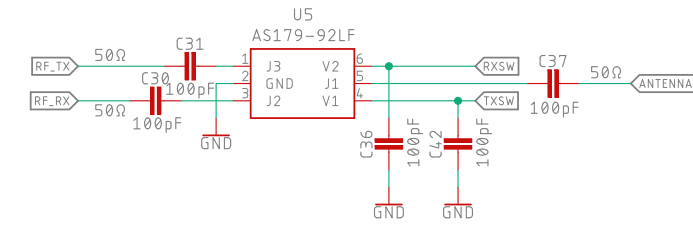
## Power Switching & Inrush Current Limit



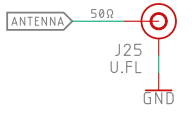
## Voltage Regulation



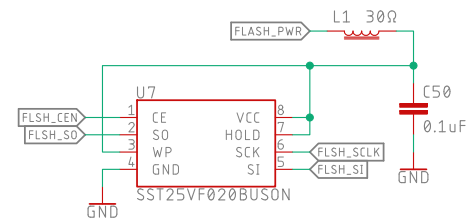
## Antenna Switch



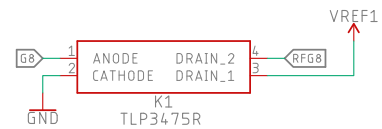
## Antenna



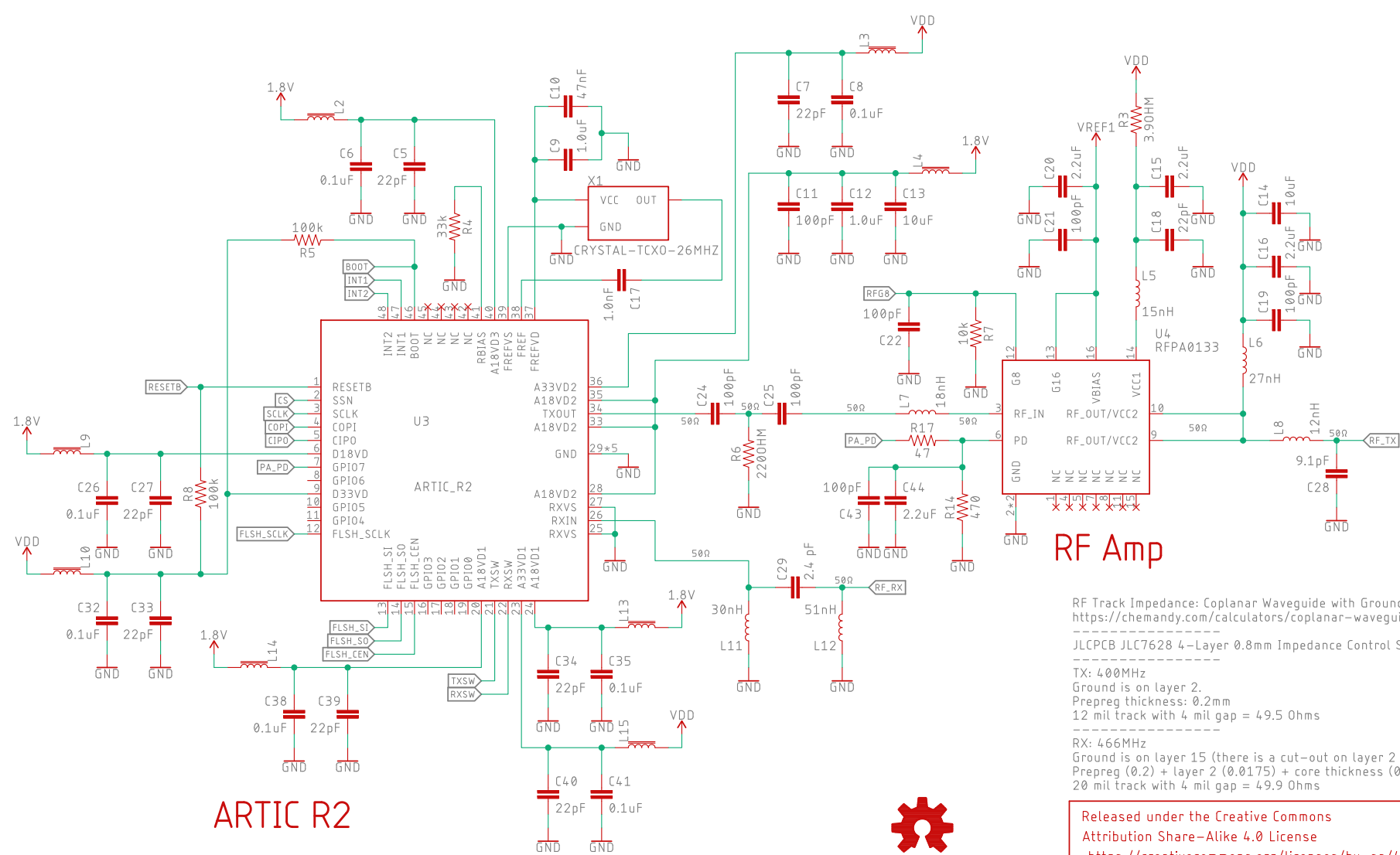
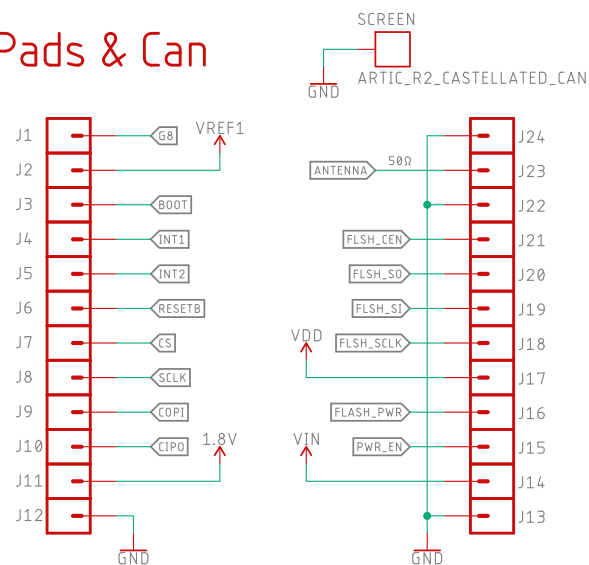
## FLASH Memory



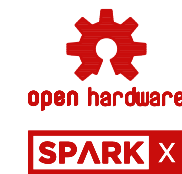
## Gain Opto-Isolation



## Pads & Can



## ARTIC R2



RF Track Impedance: Coplanar Waveguide with Ground Calculations  
<https://chemandy.com/calculators/coplanar-waveguide-with-ground-calculator.htm>  
 JLCPCB JLC7628 4-Layer 0.8mm Impedance Control Stackup (Er = 4.6)  
 TX: 400MHz  
 Ground is on layer 2.  
 Prepreg thickness: 0.2mm  
 12 mil track with 4 mil gap = 49.5 Ohms  
 RX: 466MHz  
 Ground is on layer 15 (there is a cut-out on layer 2 as per AnSem's design guide).  
 Prepreg (0.2) + layer 2 (0.0175) + core thickness (0.265) = 0.4825mm  
 20 mil track with 4 mil gap = 49.9 Ohms

Released under the Creative Commons Attribution Share-Alike 4.0 License  
<https://creativecommons.org/licenses/by-sa/4.0/>

TITLE: ARTIC_R2_Module	
Design by: Paul Clark Based on the Icoteq Reference Design	REV: X01
Date: 12/01/2021 08:50	Sheet: 1/1