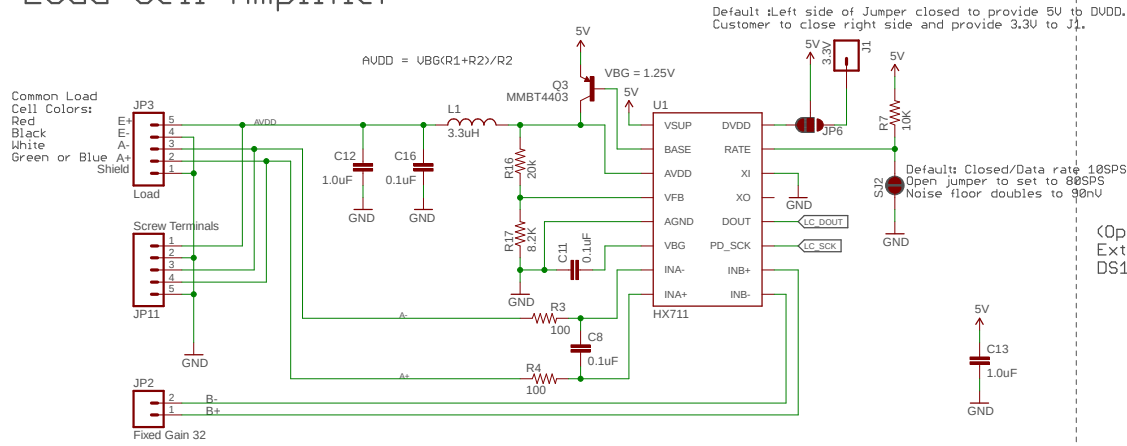
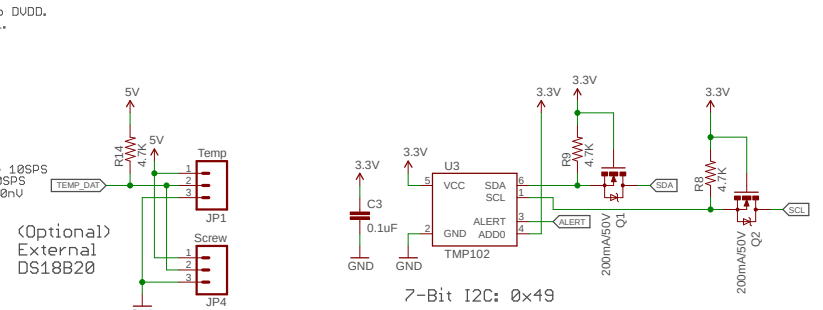


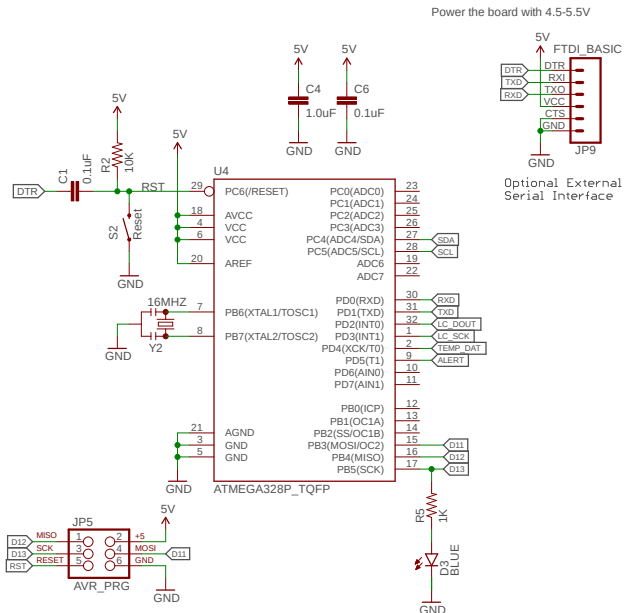
# Load Cell Amplifier



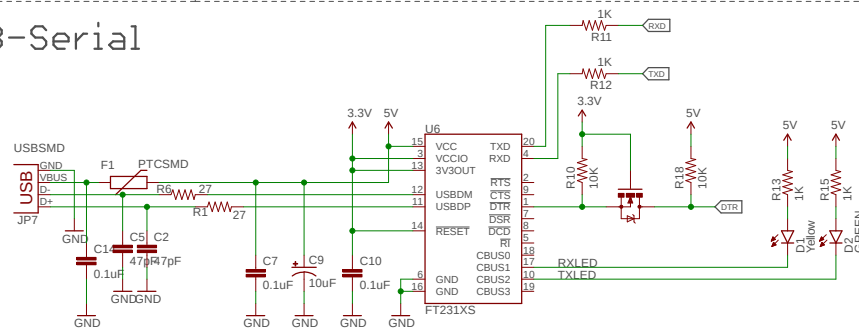
# Temperature Compensation



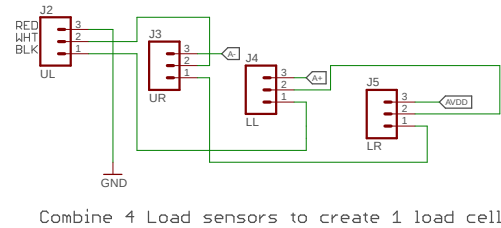
# Microcontroller



# USB-Serial



# Load Sensor Combiner



Released under the Creative Commons Attribution Share-Alike 4.0 License  
<https://creativecommons.org/licenses/by-sa/4.0/>

TITLE: SparkFun\_openScale

Design by: N. Seidle  
 Revision by: Mary West

Date: 5/15/2019 10:27 AM

Sheet: 1/1