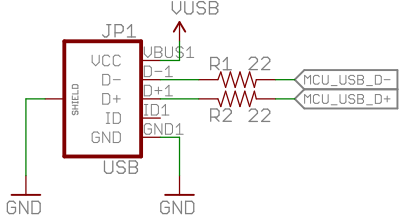
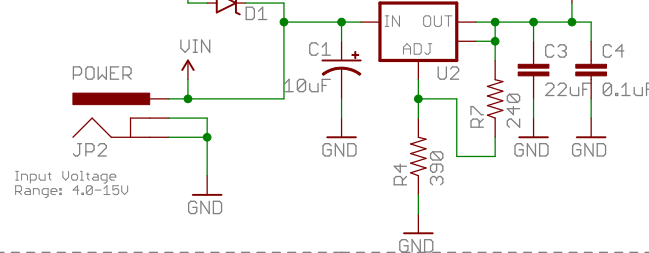


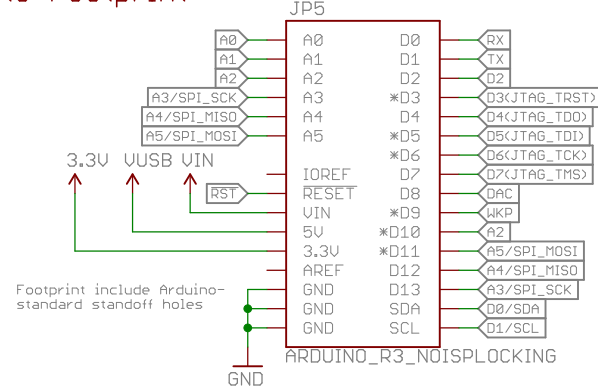
USB (Power Supply & Interface)



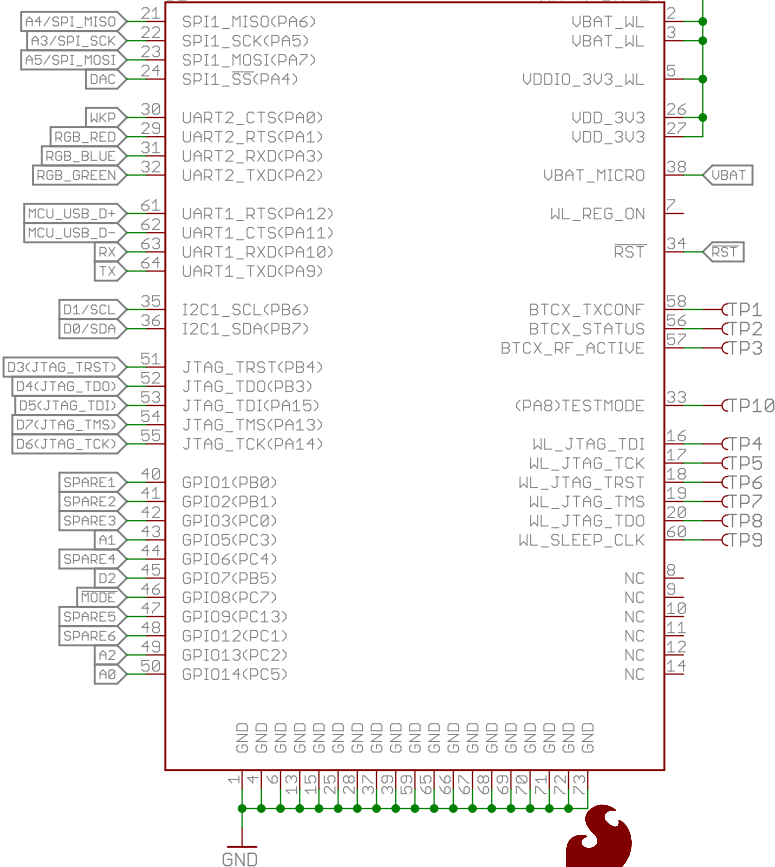
Voltage Regulator



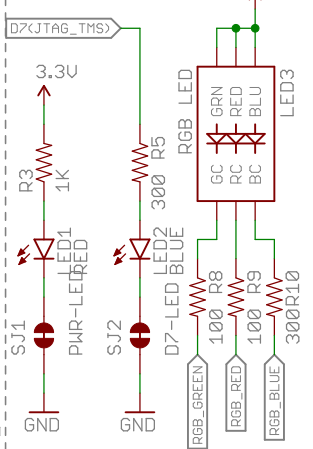
R3 Footprint



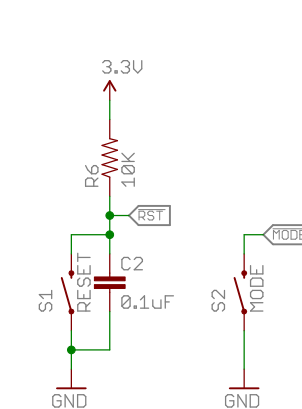
USI WM-N-BM-14 (BCM43362 + STM32F205RGY6)



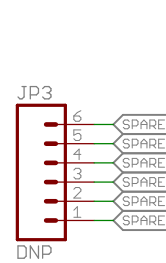
LEDs



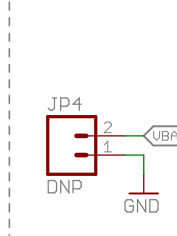
Buttons (Reset & Mode)



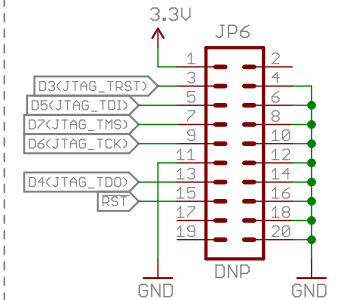
Spare Pins



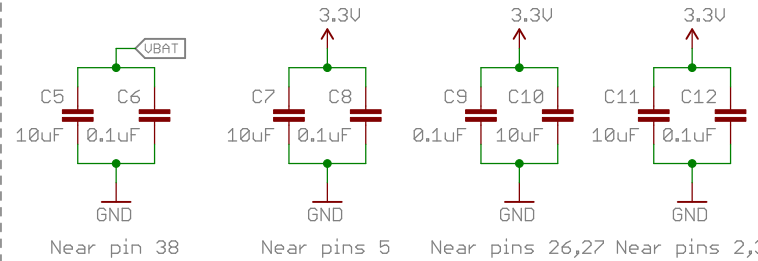
VBAT (1.8-3.3V)



ARM JTAG



Bypass Capacitors



Released under the Creative Commons Attribution Share-Alike 4.0 License
<https://creativecommons.org/licenses/by-sa/4.0/>

TITLE: sparkfun-photon-redboard

Design by: Jim Lindblom

Based on the Photon by Particle.io.

REV:

v10

Date: 8/26/2015 3:27:35 PM

Sheet: 1/1

