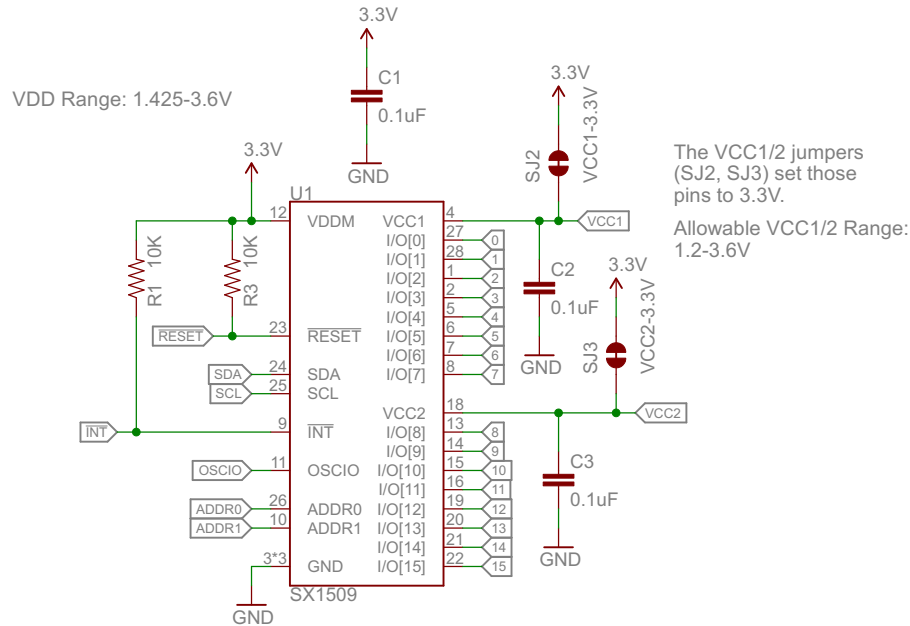
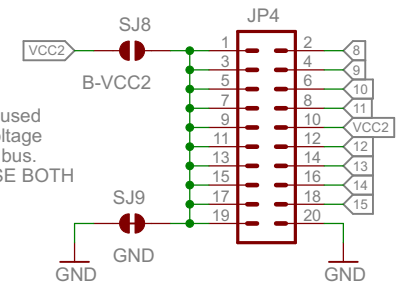
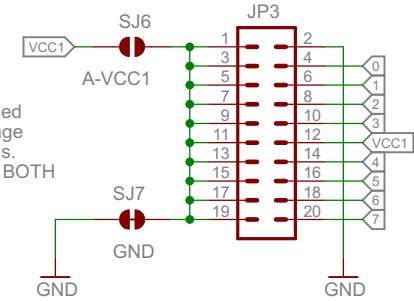


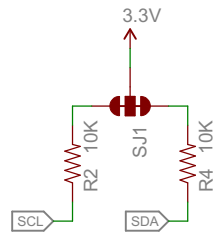
SX1509



I/O headers

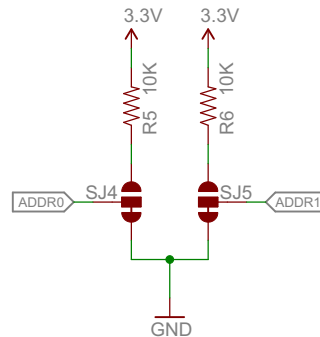


I2C Pull-up Resistors



SJ1 enables/disables 10k pull-up resistors on the SDA and SCL lines. (Default: closed)

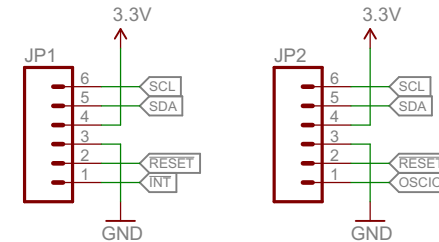
I2C Address Select



SJ4 and SJ5 set the I2c address of the SX1509.

I2C Addresses [ADDR1][ADDR0]:
 00 - 0x3E (default)
 01 - 0x3F
 10 - 0x70
 11 - 0x71

Control Signal and Power Input Headers



Released under the Creative Commons

Attribution Share-Alike 4.0 License

<https://creativecommons.org/licenses/by-sa/4.0/>



TITLE: sx1509-breakout

Design by:
Jim Lindblom

REV:
v20

Date: 6/1/2015 2:07:38 PM

Sheet: 1/1

