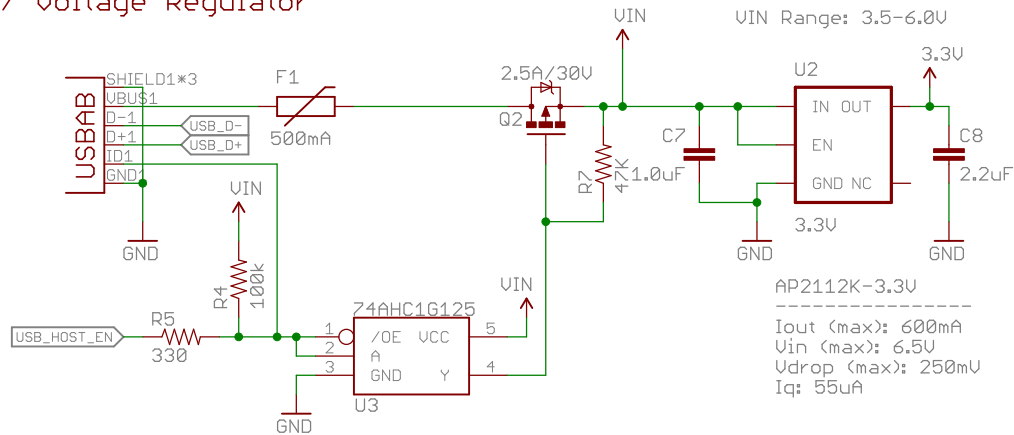
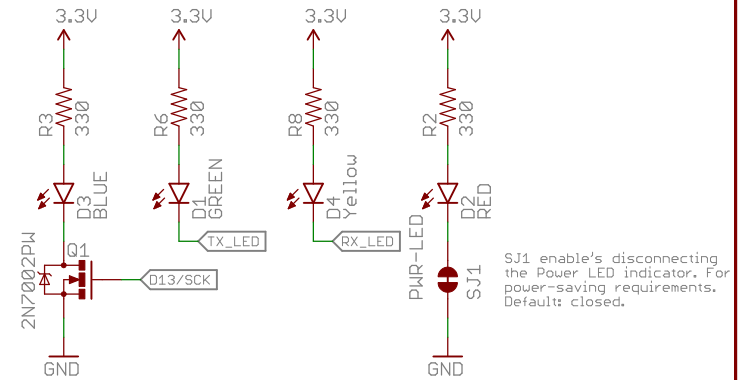


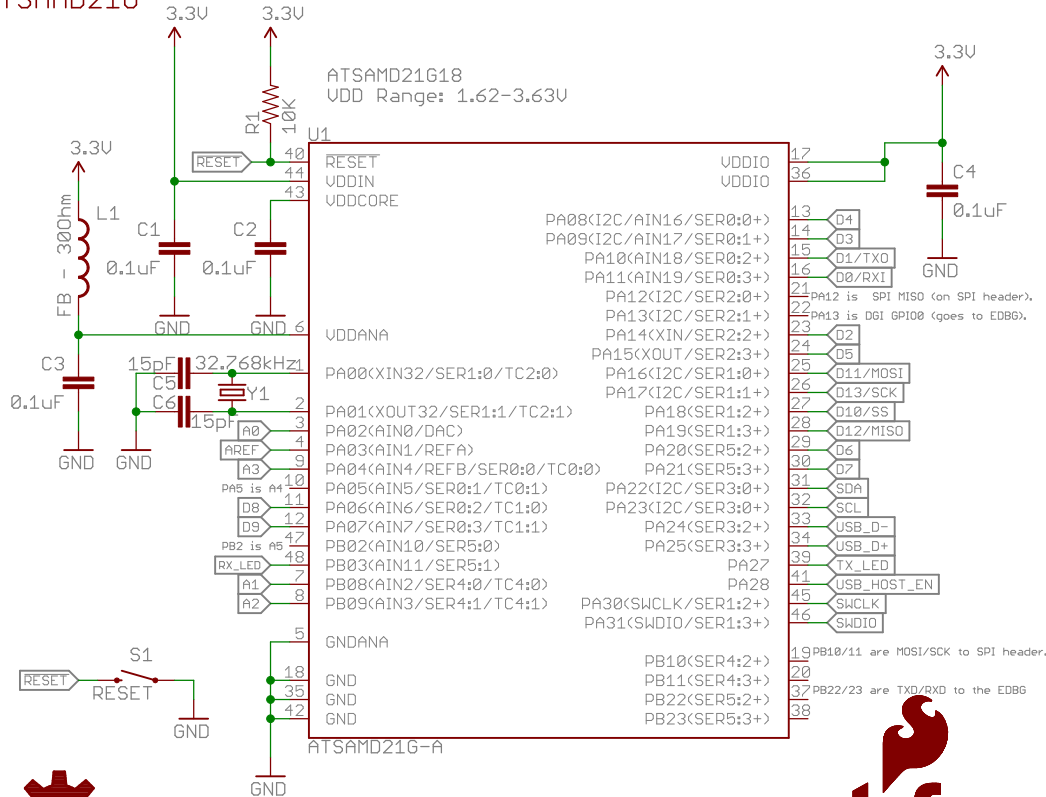
USB / Voltage Regulator



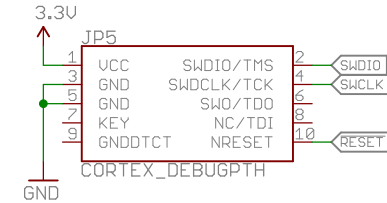
LEDs!!!



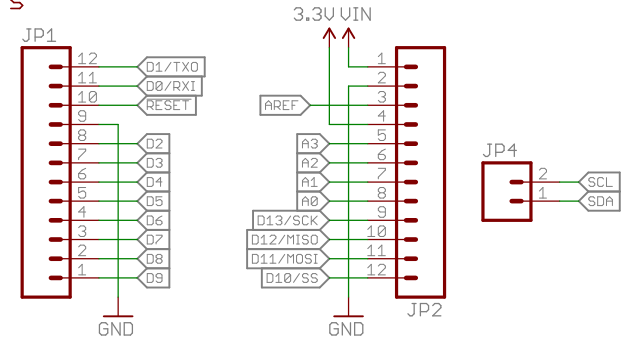
ATSAMD21G



Cortex Debug/Program Connector



Headers



Released under the Creative Commons Attribution Share-Alike 4.0 License
<https://creativecommons.org/licenses/by-sa/4.0/>

TITLE: sparkfun-atsamd21g-breakout

Design by: Jim Lindblom

Based on: Arduino Zero by Arduino.cc
Arduino M0 by Arduino.org

REV: v10

Date: 9/30/2015 3:55:16 PM

Sheet: 1/1

