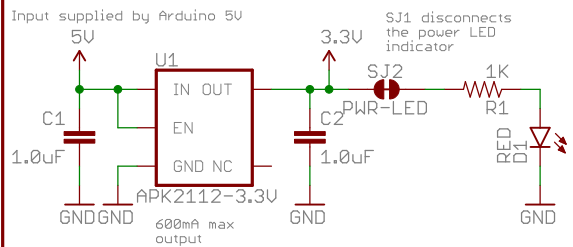
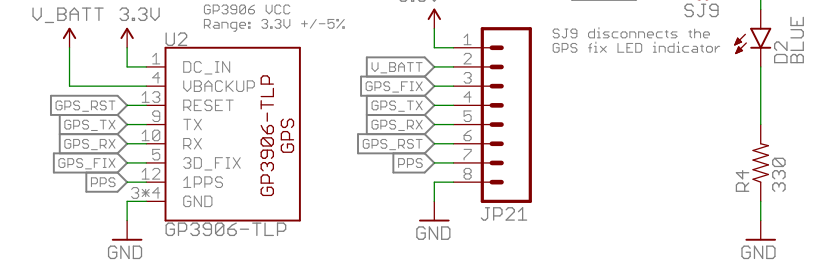


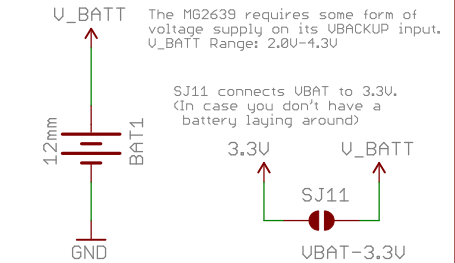
3.3V Voltage Regulator



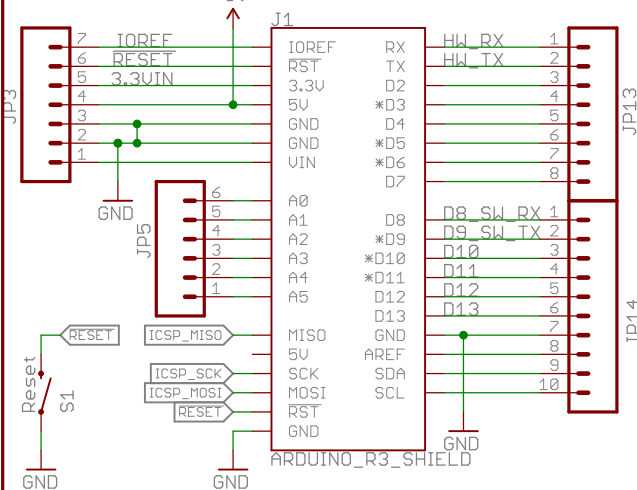
GPS Module



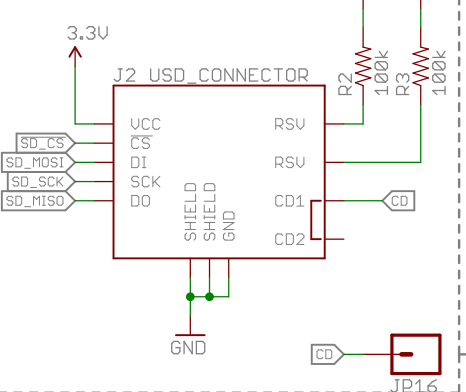
Battery Supply



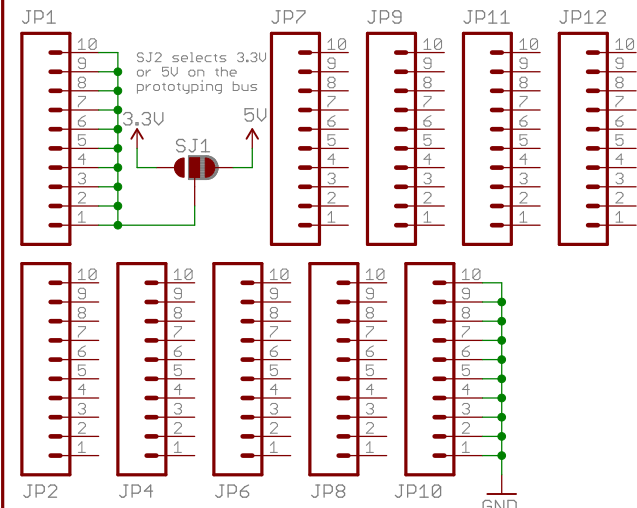
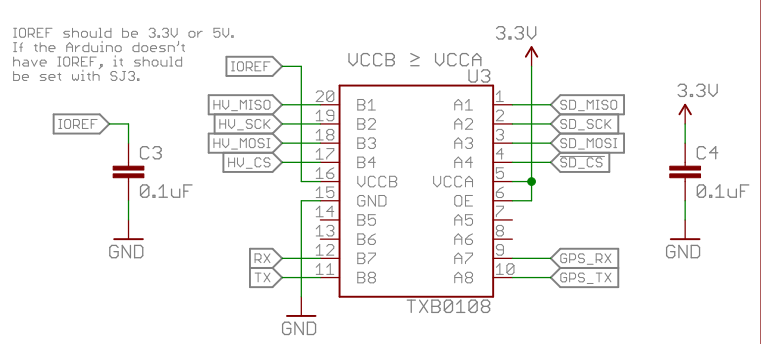
Arduino Shield



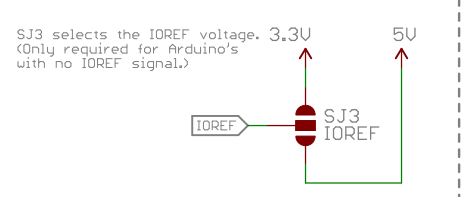
uSD Socket



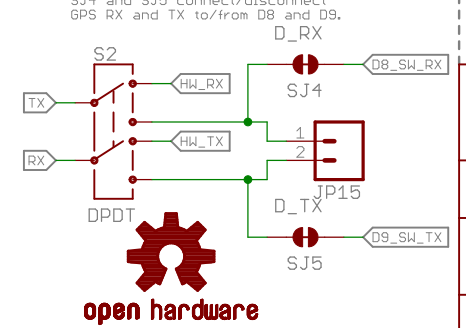
Level Shifting



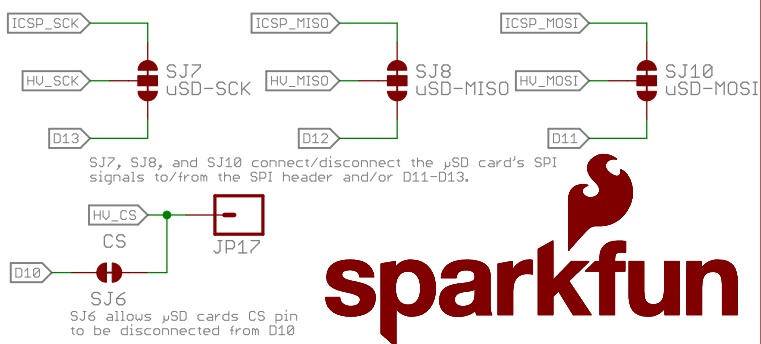
IOREF Select



Serial Switch



uSD SPI Interface Configuration



Released under the Creative Commons Attribution Share-Alike 4.0 License
<https://creativecommons.org/licenses/by-sa/4.0/>

TITLE: GPS_Shield

Design by: Jim Lindblom
 Based on a design by: Aaron Weiss

REV: v20

Date: 11/30/2015 9:24 AM Sheet: 1/1

