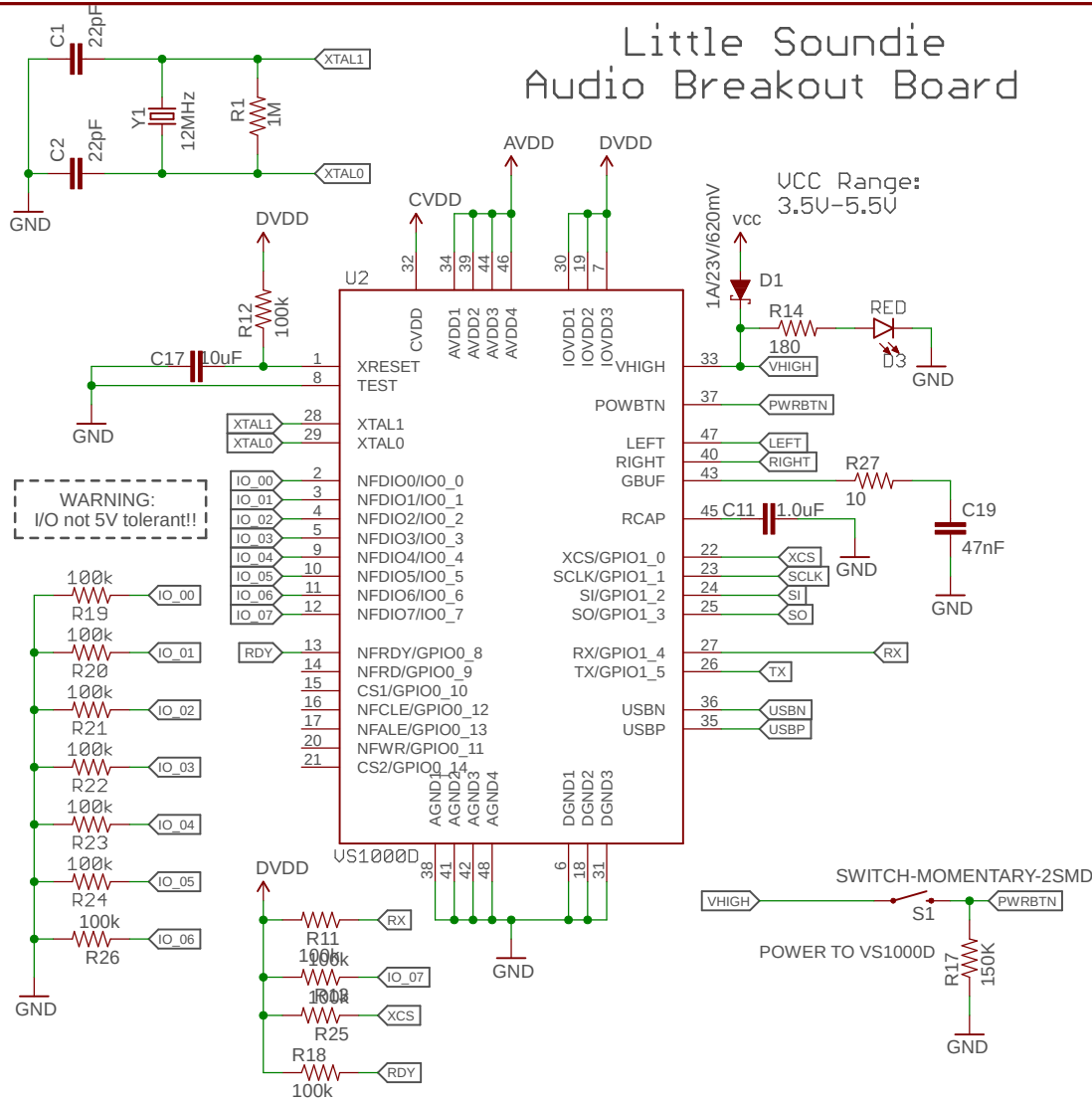
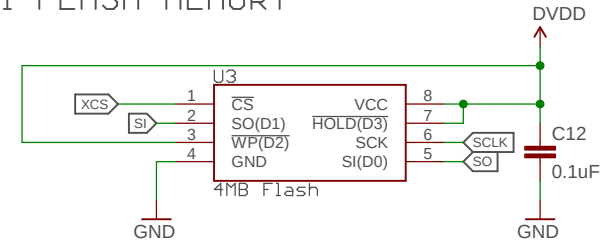


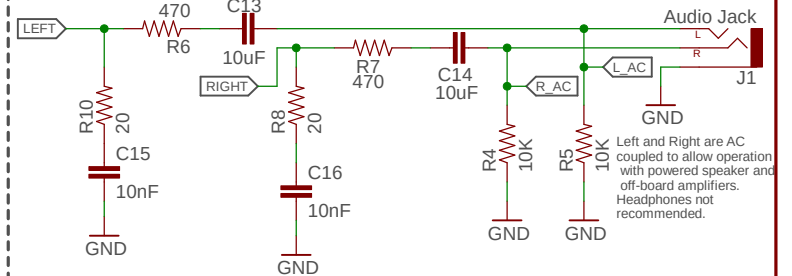
Little Soundie Audio Breakout Board



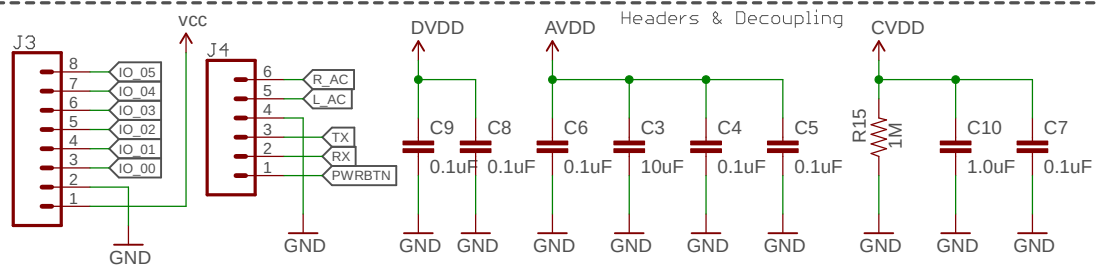
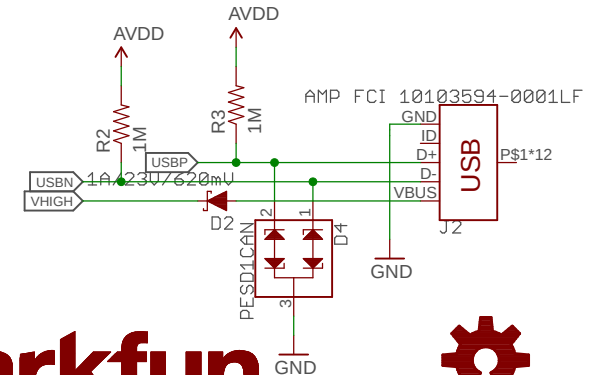
SPI FLASH MEMORY



Audio Out



USB



Released under the Creative Commons Attribution Share-Alike 4.0 License
<https://creativecommons.org/licenses/by-sa/4.0/>

TITLE: SparkFun_Lil_Soundie_Audio_Player

Design by: Mary West
 Based on designs developed by VLSI

REV:
v1.0

Date: 3/13/2018 12:53 PM Sheet: 1/1