

MLX90393 Breakout

MODES:

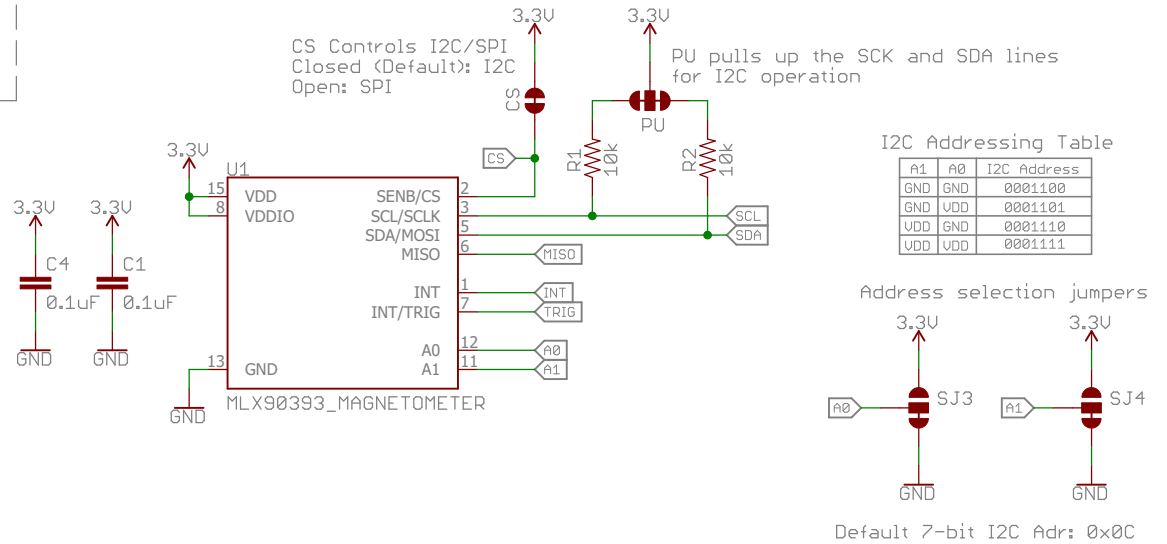
I2C:

Leave the copper-connected jumpers SJ1 and SJ2 as default. SJ1 is the LSB of the address.

SPI 4-WIRE:

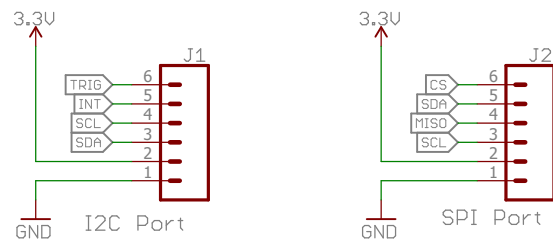
Jumpers SJ2 can be opened to remove pull-ups on the SPI lines. SJ1 must be open for SPI operation.

Magnetometer Circuitry



User Ports

UCC must be 2.2-3.6V



Released under the Creative Commons Attribution Share-Alike 4.0 License
<https://creativecommons.org/licenses/by-sa/4.0/>

TITLE: MLX90393_Magnetometer_Breakout

Design by: Joel Bartlett

REV:
v10

Date: 2/10/2017 9:14 AM

Sheet: 1/1