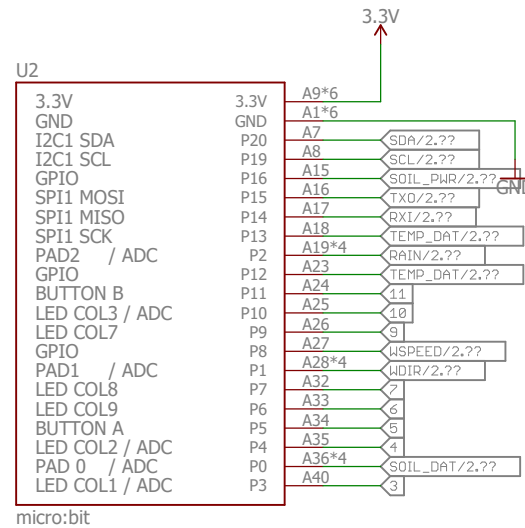


CONNECTOR



PIN	FUNCTION	
20	SDA	BME280 SDA
19	SCL	BME280 SCL
16	GPIO	SOIL MOISTURE SENSOR POWER
15	MOSI	TXD
14	MISO	RXI
13	SCK	TEMPERATURE DATA
12	GPIO	
11	BUTTON B	
10	LED COL 3	
9	LED COL 7	
8	GPIO	WIND SPEED
7	LED COL 8	
6	LED COL 9	
5	BUTTON A	
4	LED COL 2	
3	LED COL 1	
2	GPIO/AIN	RAIN
1	GPIO/AIN	WIND DIRECTION
0	GPIO/AIN	SOIL MOISTURE SENSOR DATA



Released under the Creative Commons Attribution Share-Alike 4.0 License

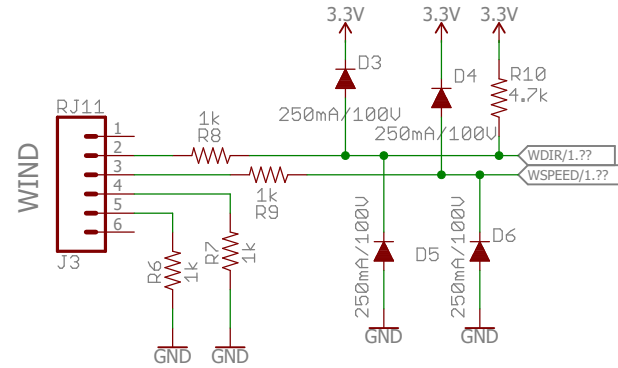
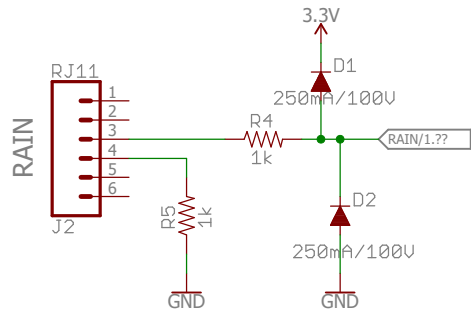
<https://creativecommons.org/licenses/by-sa/4.0/>

TITLE: weather-bit

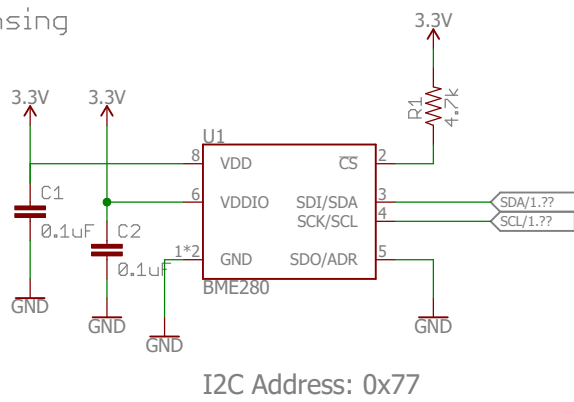
Design by: Mary West, Based on the Weather Shield Design by Nathan Seidle REV: v10

Date: 5/31/2017 1:11 PM Sheet: 1/2

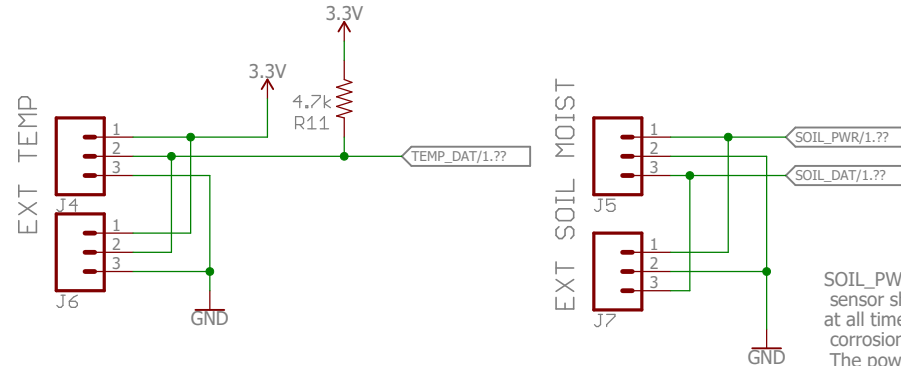
Optional Wind & Rain Sensors



Sensing

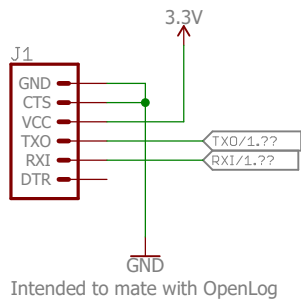


Optional External Temperature and Soil Moisture Sensing

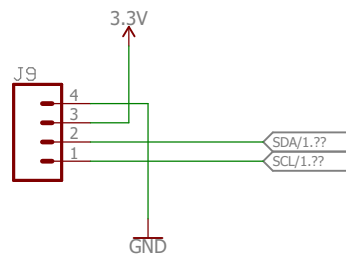


SOIL_PWR: The soil moisture sensor should not be "turned on" at all times, this causes quick corrosion of the metal on the sensor. The power should be provided intermitently from a digital I/O pin.

Serial Port



I2C Port



Released under the Creative Commons Attribution Share-Alike 4.0 License <https://creativecommons.org/licenses/by-sa/4.0/>

TITLE: weather-bit

Design by: Mary West, based on Weather Shield design by Nathan Seidle REU: v10

Date: 5/31/2017 1:11 PM

Sheet: 2/2