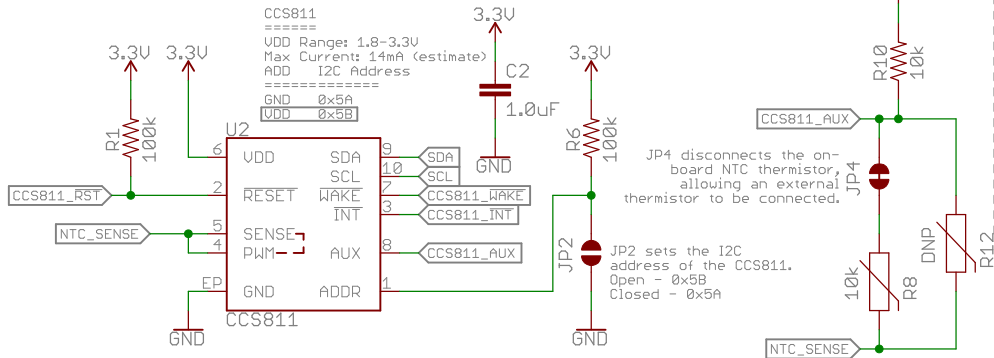
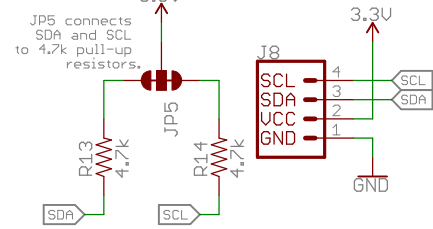


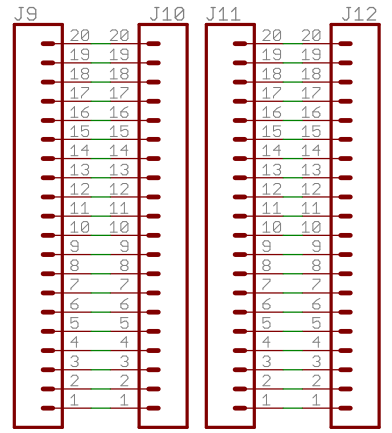
CCS811 - Air Quality (CO2, VOC)



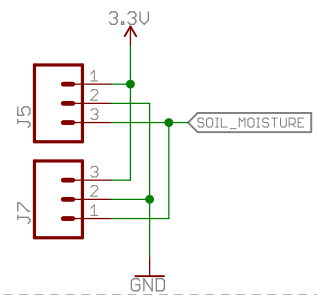
I2C Extension



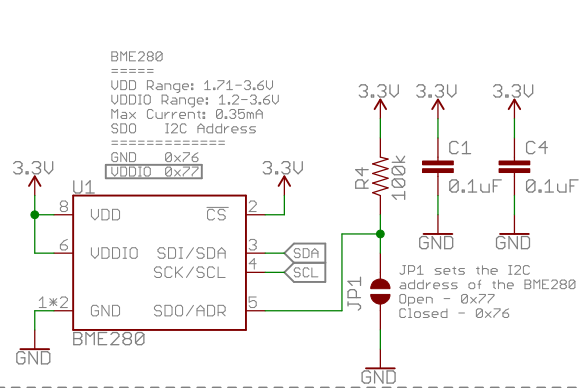
Prototyping PTH



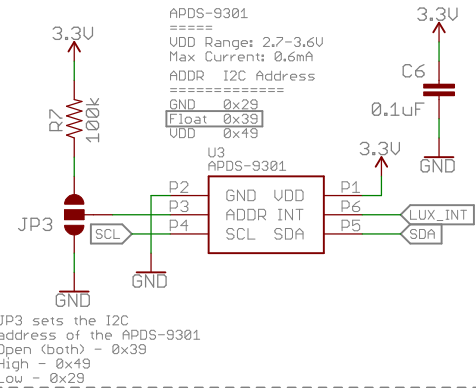
Soil Moisture



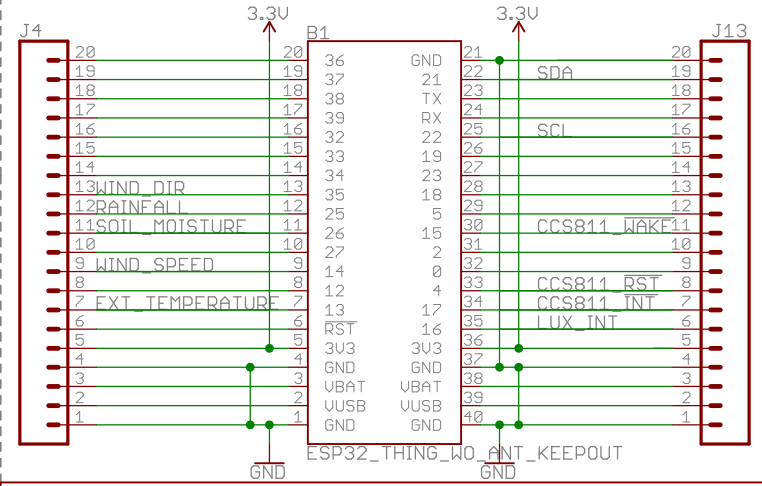
BME280 - Humidity, Pressure, Temp



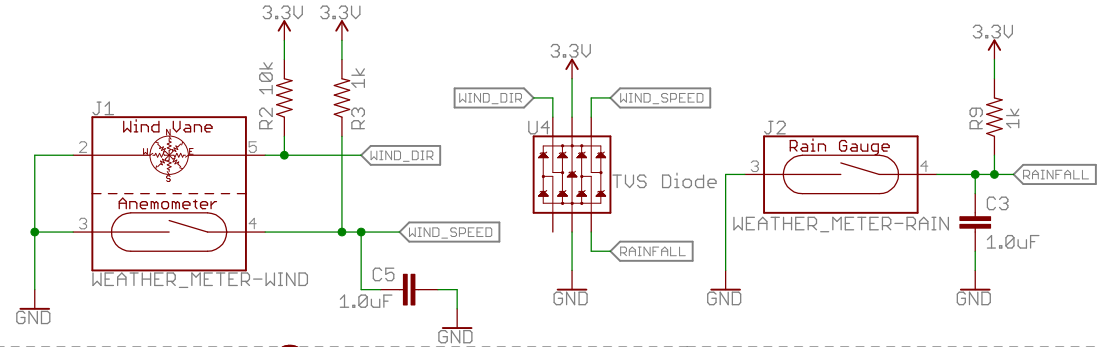
APDS-9301 - Luminosity (Lux)



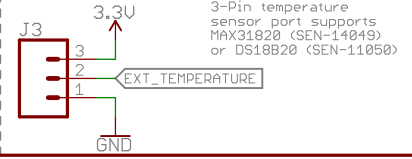
ESP32 + Prototyping Pins



Weather Meter - Rainfall, Wind Speed, Wind Direction



External Temperature



Released under the Creative Commons Attribution Share-Alike 4.0 License
<https://creativecommons.org/licenses/by-sa/4.0/>

TITLE: sparkfun_esp32_environment_sensor_shield

Design by: Jim Lindblom/Mike Hord

REV: 10

Date: 5/31/2017 11:12 AM

Sheet: 1/1

