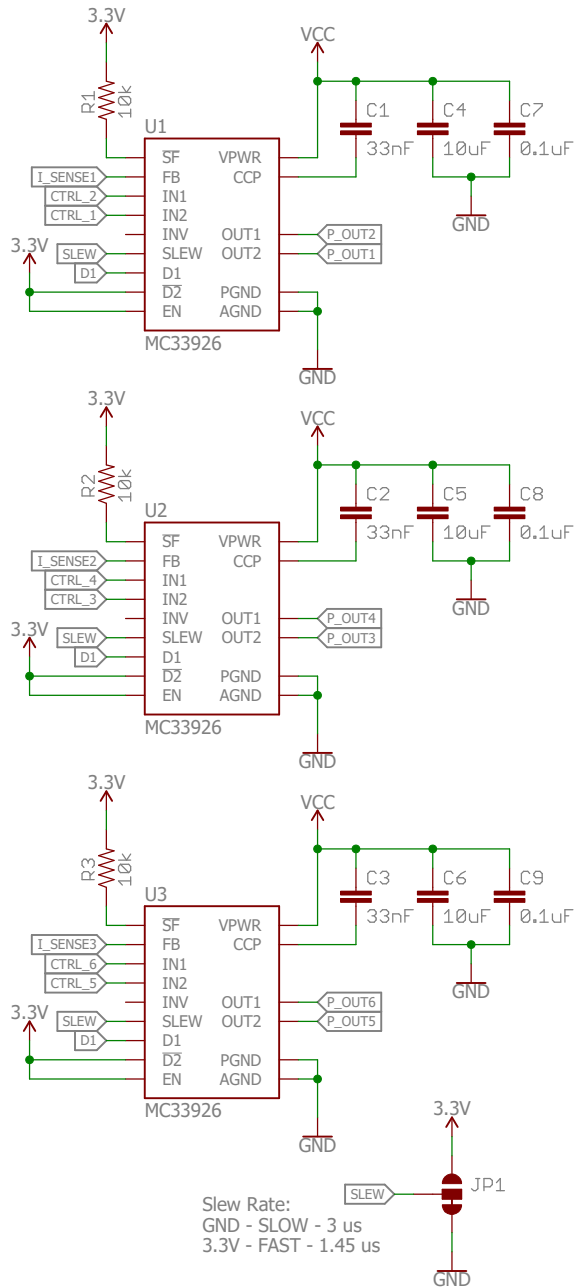
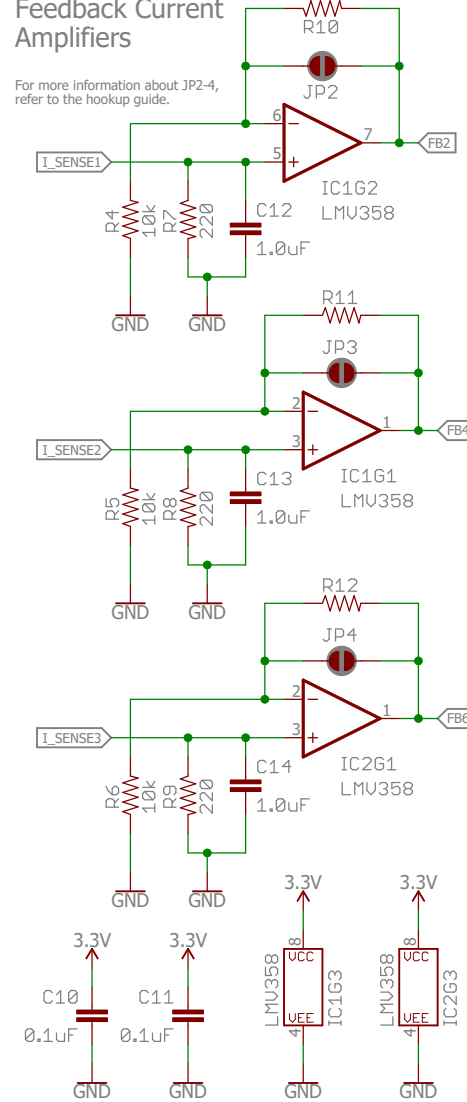


Half Bridge Drivers



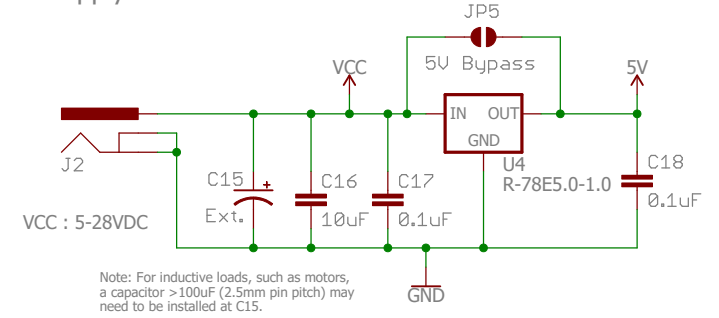
Feedback Current Amplifiers

For more information about JP2-4, refer to the hookup guide.

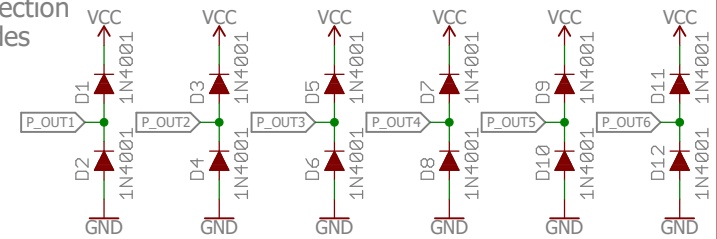


Power Supply

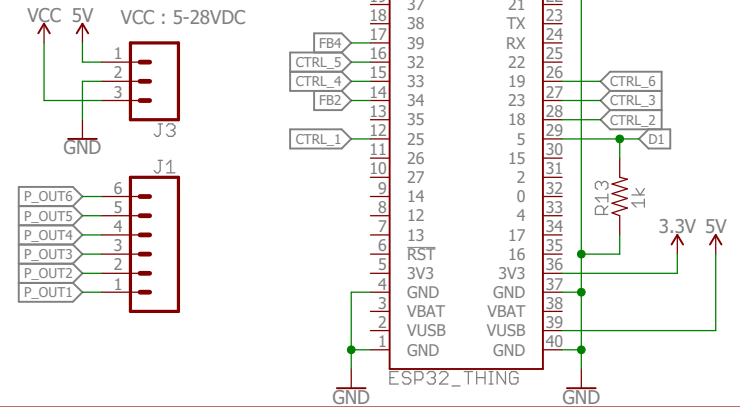
NOTE: For VCC of 5V, close JP5 to bypass the DC/DC converter



Protection Diodes



Connectors



Released under the Creative Commons Attribution Share-Alike 4.0 License
<https://creativecommons.org/licenses/by-sa/4.0/>

TITLE: SparkFun_ESP32_Power_Control_Shield

Design by: Alex Wende

REV: v10

Date: 5/19/2017 2:06 PM

Sheet: 1/1