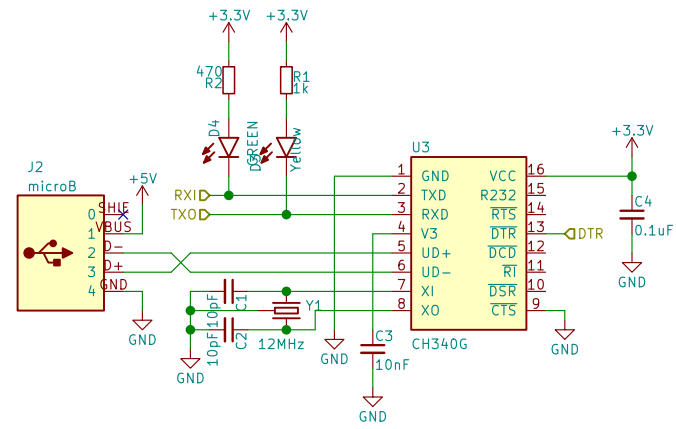
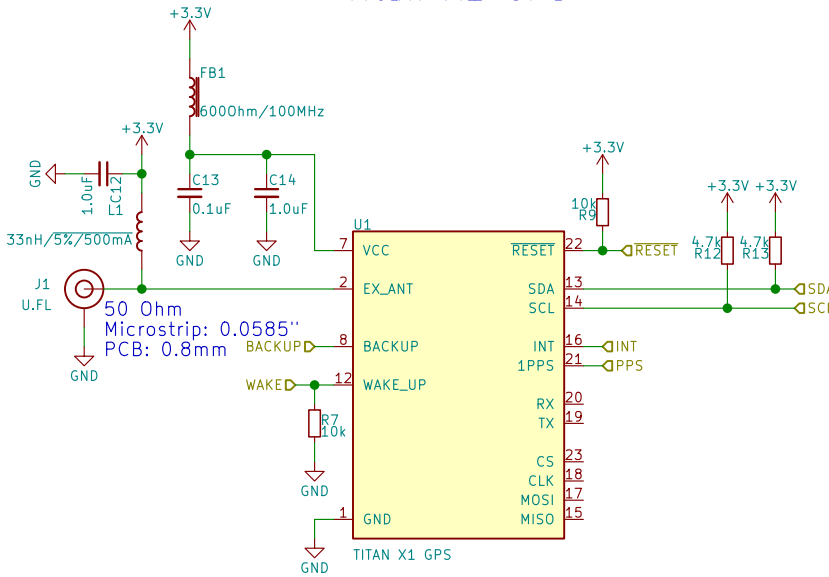


USB to Serial

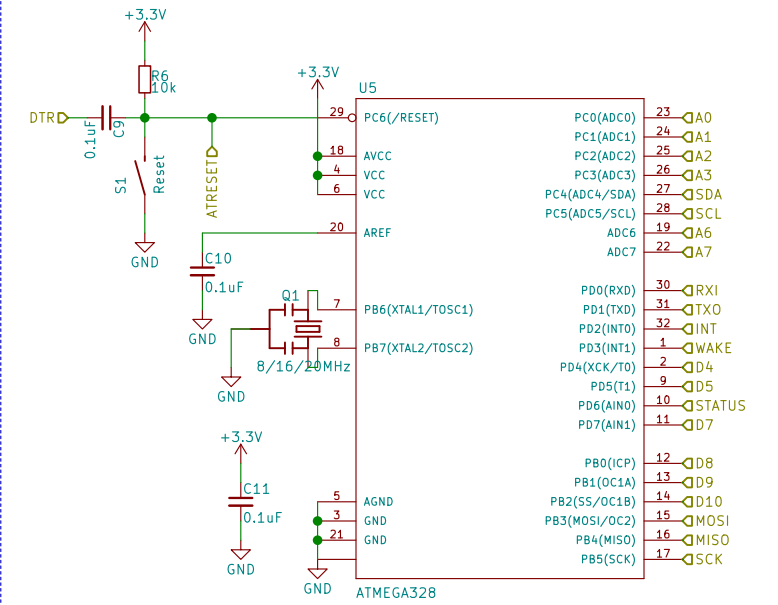


Titan X1 GPS

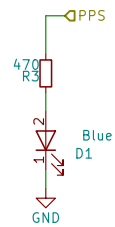


7-bit unshifted I2C address: 0x10

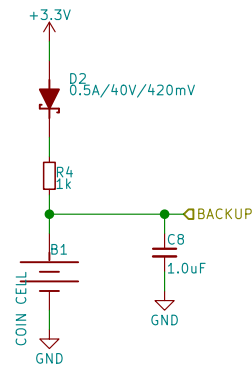
ATmega328



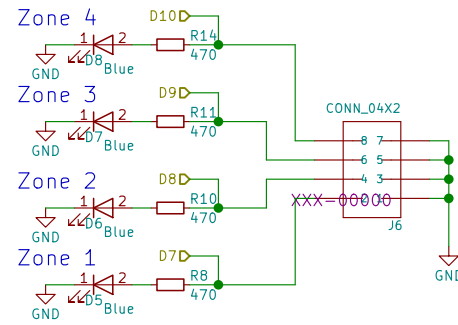
Pulse Per Second LED



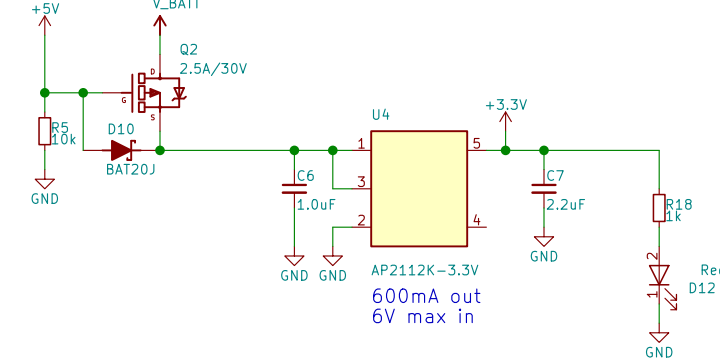
RTC Backup



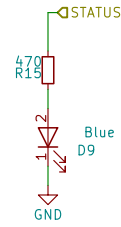
Zone Status Pins



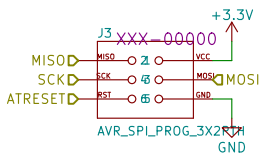
Voltage Regulator and Battery Charger



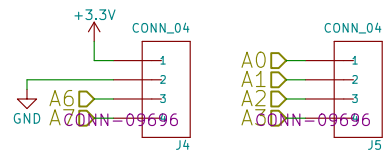
Status LED



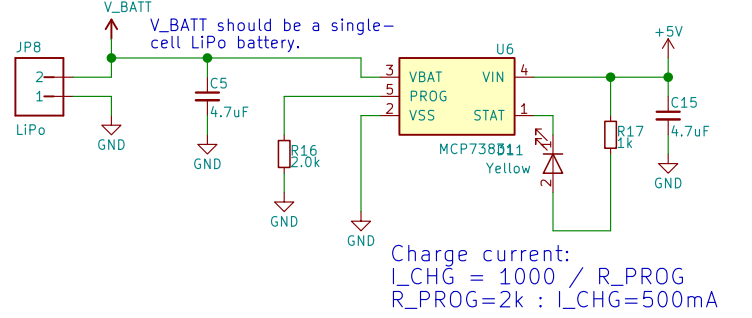
ISP Header



GPIO



Lithium-Polymer Battery Charger (1-cell)



Charge current:
 $I_{CHG} = 1000 / R_{PROG}$
 $R_{PROG} = 2k : I_{CHG} = 500mA$



SparkFun Electronics
 Sheet: /
 File: GeoFence.sch
Title: GeoFence.sch
 Size: B Date: 23 JUN 2017
 KiCad E.D.A. kicad 4.0.6

Rev: 1/1