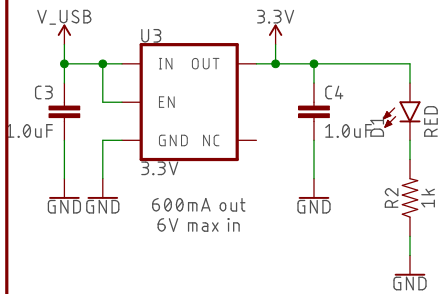
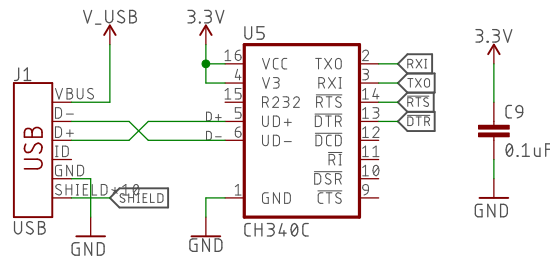


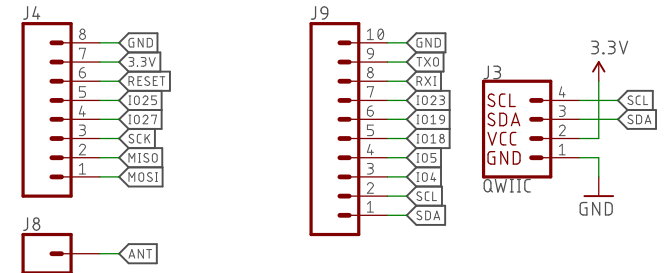
### Voltage Regulator



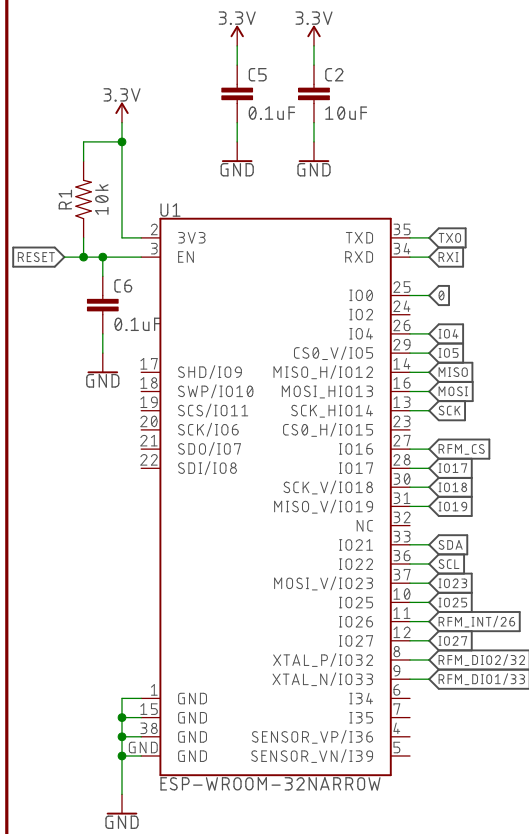
### USB-to-Serial



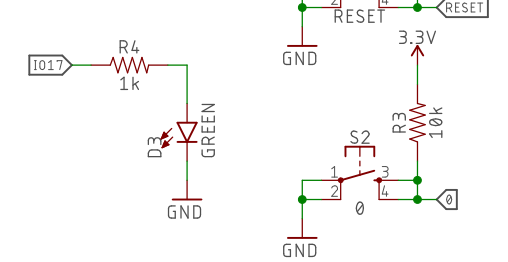
### I/O pins



### ESP32-WROOM



### LED & Buttons

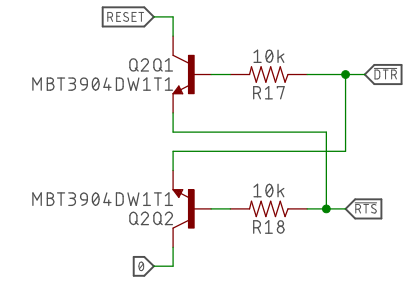


### Auto-Reset

Boot Mode Configuration

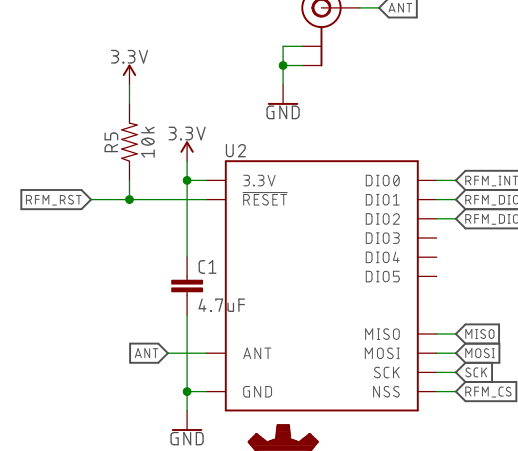
| Pin   | Default | Boot | Download |
|-------|---------|------|----------|
| GPIO0 | 1       | 1    | 0        |
| U0TXD | 1       | 1    | x        |
| GPIO2 | 0       | x    | 0        |
| GPIO4 | 0       | x    | x        |
| MTDO  | 1       | x    | x        |
| GPIO5 | 1       | 1    | x        |

If U0TXD, GPIO2, GPIO5 are floating, GPIO0 determines boot mode




If DTR is LOW, toggling RTS from HIGH to LOW resets to run mode.  
If RTS is HIGH, toggling DTR from LOW to HIGH resets to bootloader.

### RFM95HW



Released under the Creative Commons Attribution Share-Alike 4.0 License  
<https://creativecommons.org/licenses/by-sa/4.0/>

TITLE: esp32\_lora\_gateway 

Design by: Jim Lindblom REV: x01

Date: 8/2/2018 9:13 AM Sheet: 1/1

