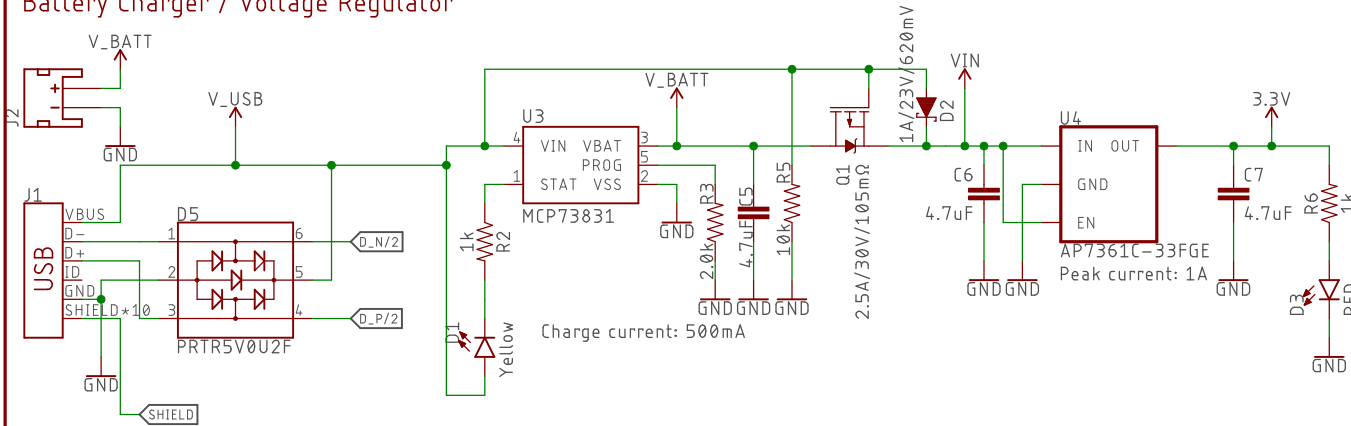
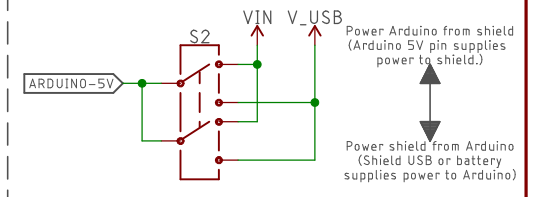


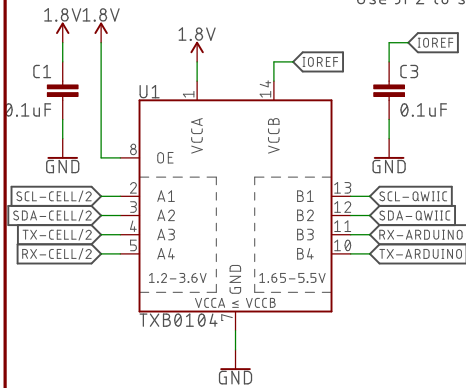
Battery Charger / Voltage Regulator



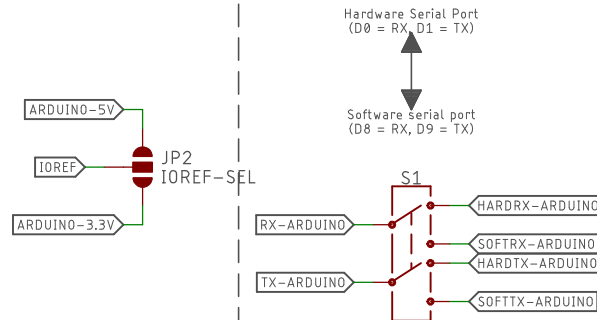
Power Select



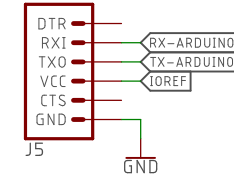
Level Shifting



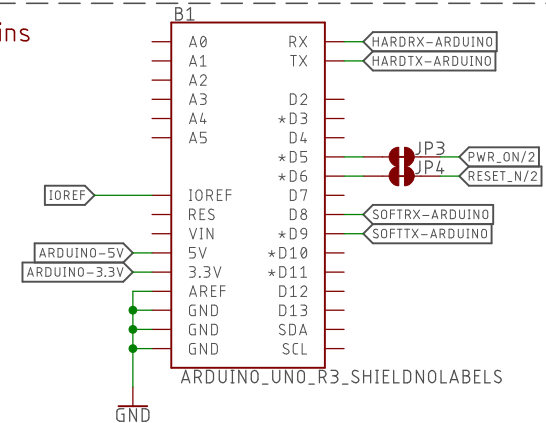
UART-Slect



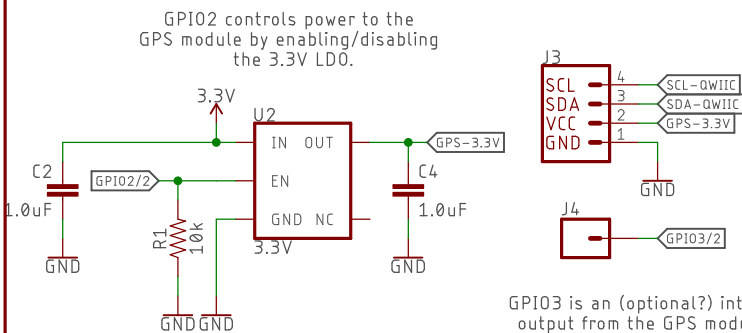
6-Pin Serial Port



Arduino Pins



u-blox GPS I2C Port



GPI03 is an (optional?) interrupt output from the GPS module to the SARA module.



Released under the Creative Commons Attribution Share-Alike 4.0 License <https://creativecommons.org/licenses/by-sa/4.0/>

TITLE: lte_cat_m1_shield_sara-r4

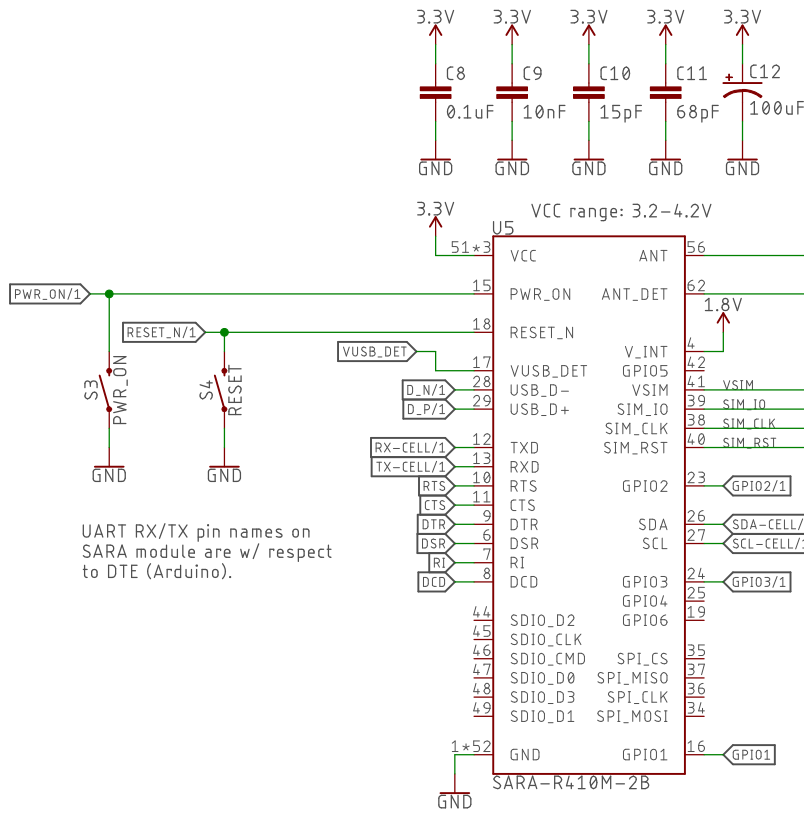
Design by: Jim Lindblom

REV: x01

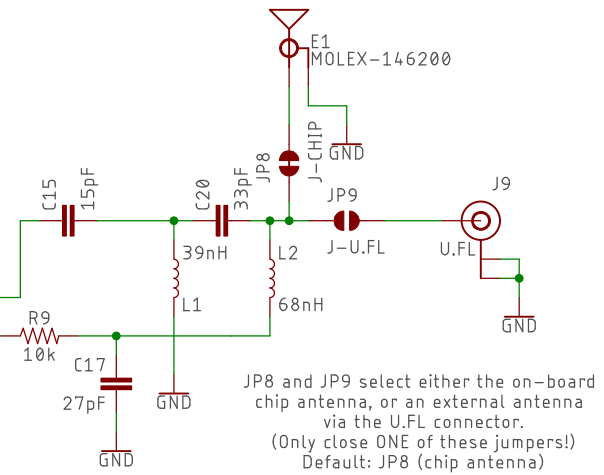
Date: 8/15/2018 3:50 PM

Sheet: 1/2

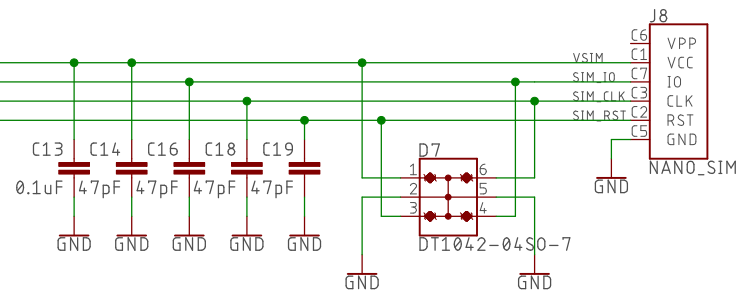
SARA-R4 Module



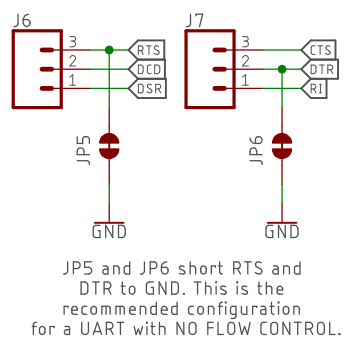
Antenna



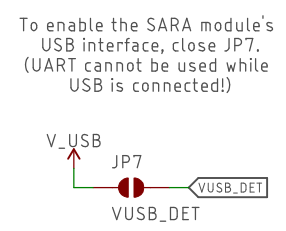
NANO SIM Card Holder



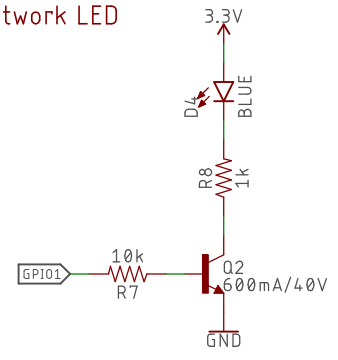
UART Handshake Signals



USB_DET Enable



Network LED



Released under the Creative Commons Attribution Share-Alike 4.0 License https://creativecommons.org/licenses/by-sa/4.0/	
TITLE: lte_cat_m1_shield_sara-r4	
Design by:	REV:
Date: 8/15/2018 3:50 PM	Sheet: 2/2