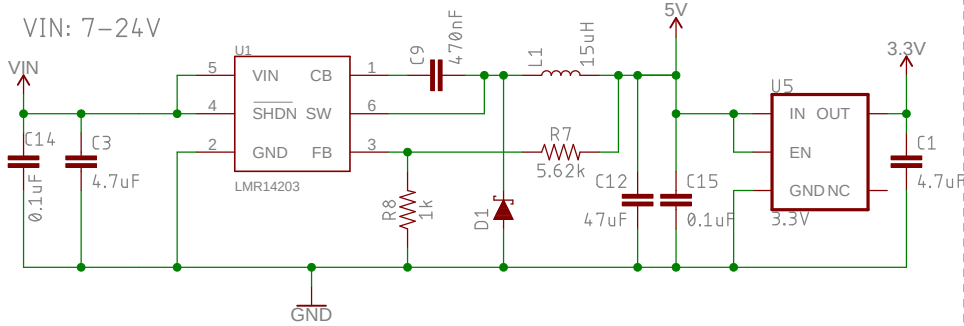
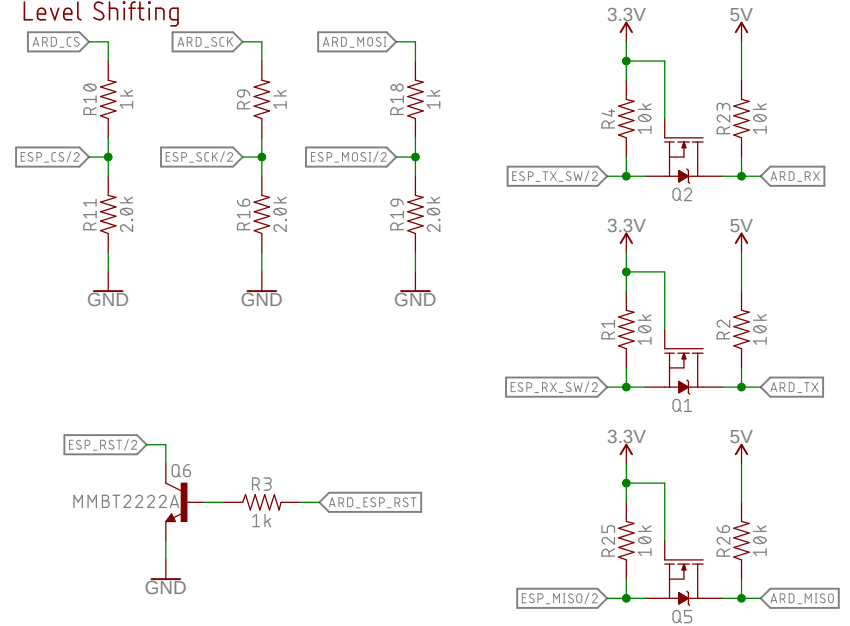


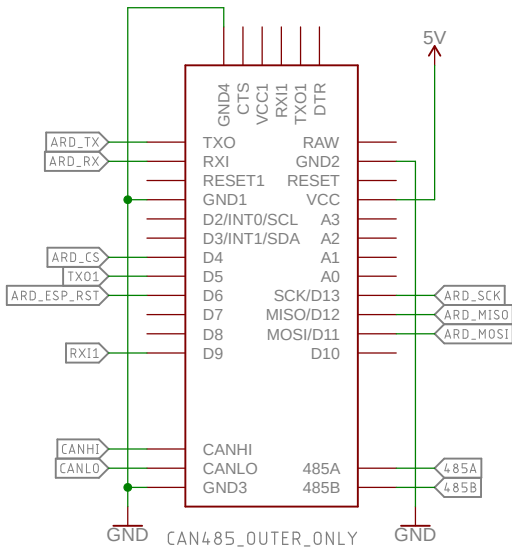
Voltage Regulators



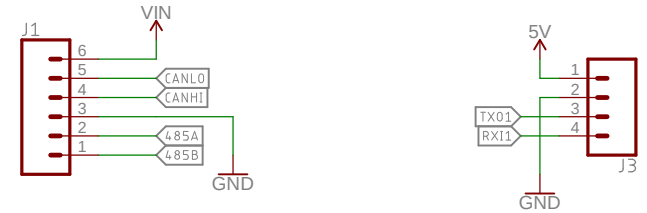
Level Shifting



CAN485



Headers



Released under the Creative Commons

Attribution Share-Alike 4.0 License

<https://creativecommons.org/licenses/by-sa/4.0/>



TITLE: AST-WiFi-Shield

Design by: C. Malan

Revised by: Alex Wende

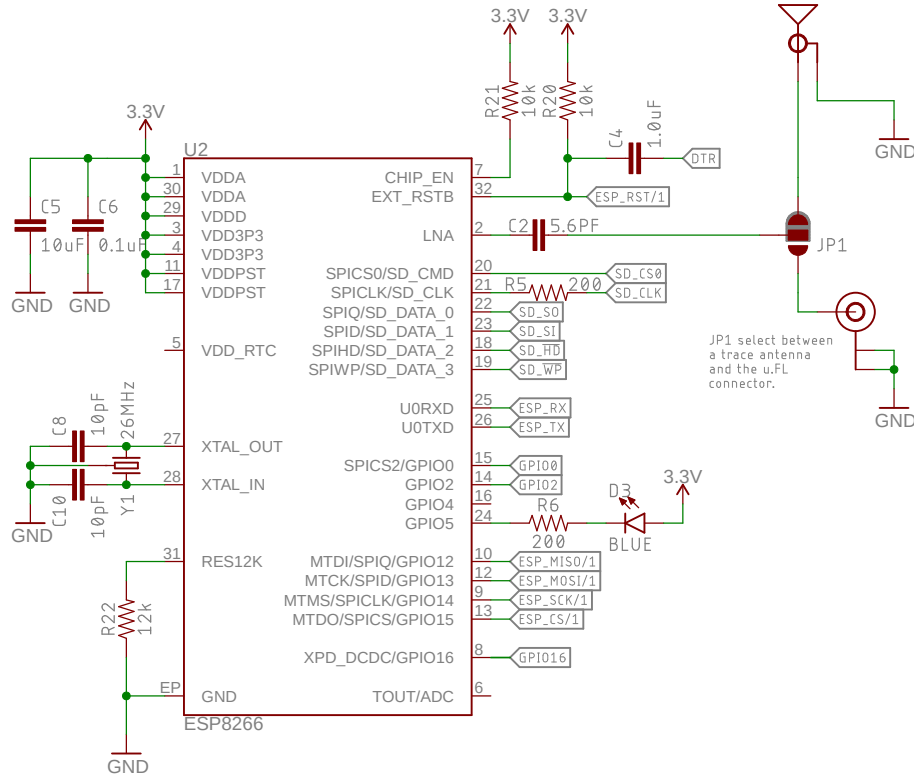
REV:

v10

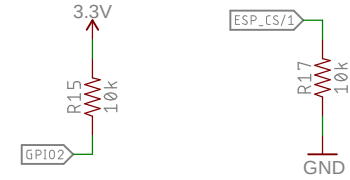
Date: 2/15/2019 9:39 AM

Sheet: 1/2

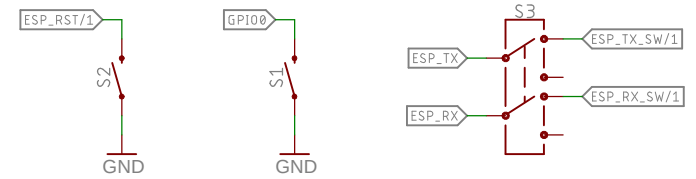
ESP8266EX



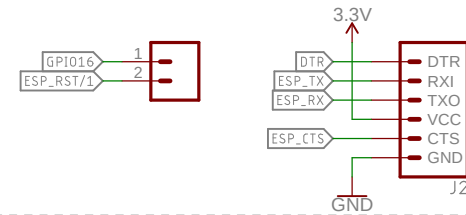
Run Default Pull-Up/Pull-Down



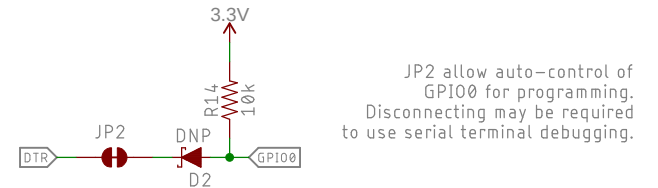
Switches



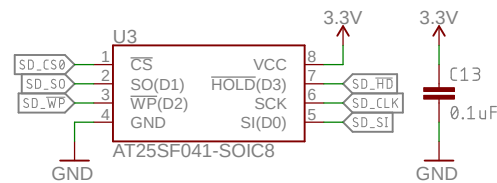
Headers



Auto-Prog Jumper



4 Mbit (512KB) Flash



Released under the Creative Commons

Attribution Share-Alike 4.0 License

<https://creativecommons.org/licenses/by-sa/4.0/>

TITLE: AST-WiFi-Shield

Design by:

REV:
v10

Date: 2/15/2019 9:39 AM

Sheet: 2/2