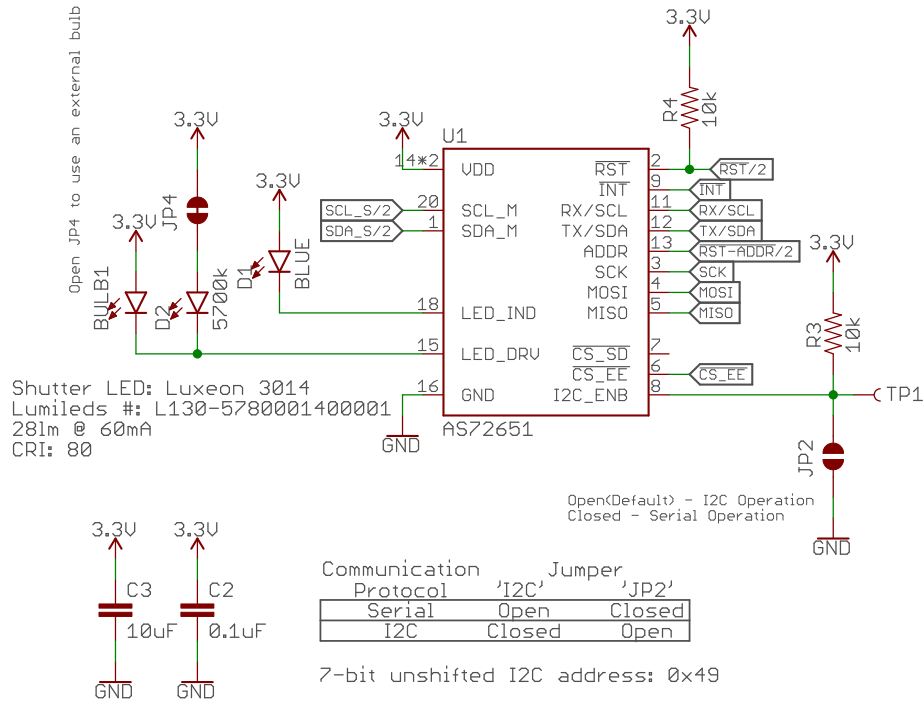
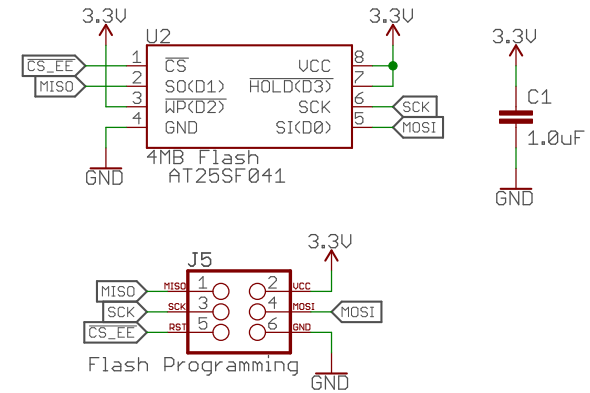


AS7265x Spectral Sensor

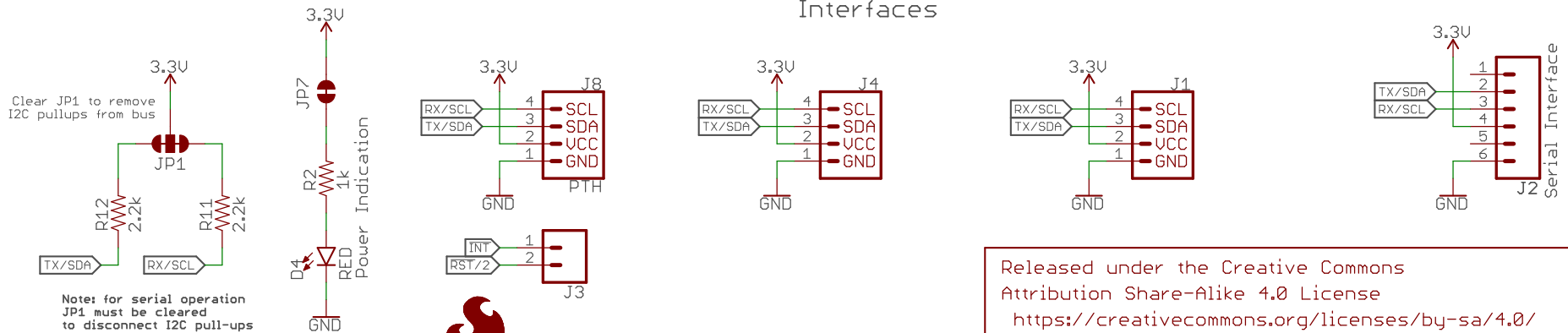


4mbit Flash Memory



The AS72651 must be held in reset while programming flash

Interfaces



Released under the Creative Commons Attribution Share-Alike 4.0 License
<https://creativecommons.org/licenses/by-sa/4.0/>

TITLE: Qwiic_Spectral_Sensor-AS7265x

Design by: Nathan Seidle

REV:
U10

Date: 11/1/2018 1:12 PM

Sheet: 1/2