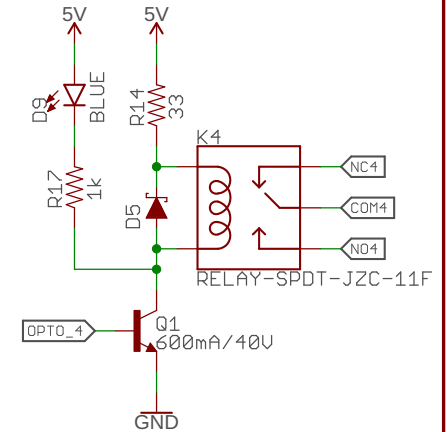
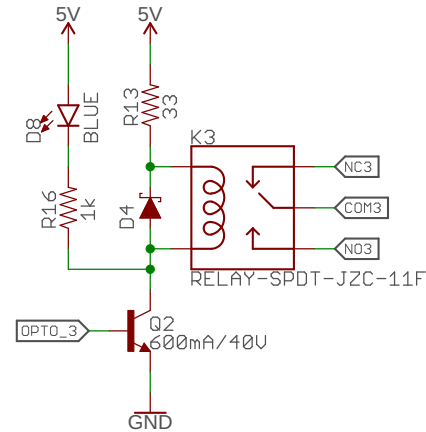
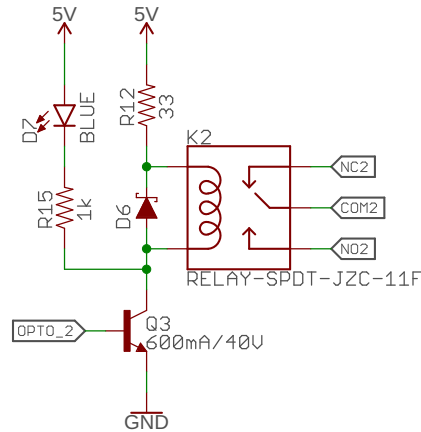
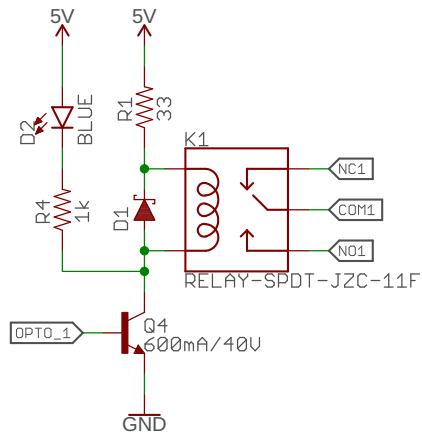
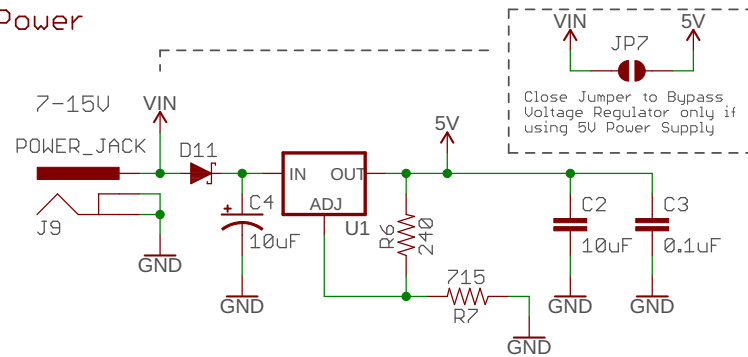


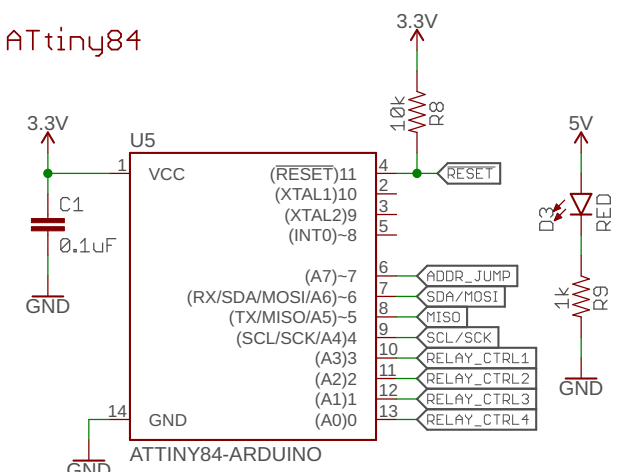
## Relay Control



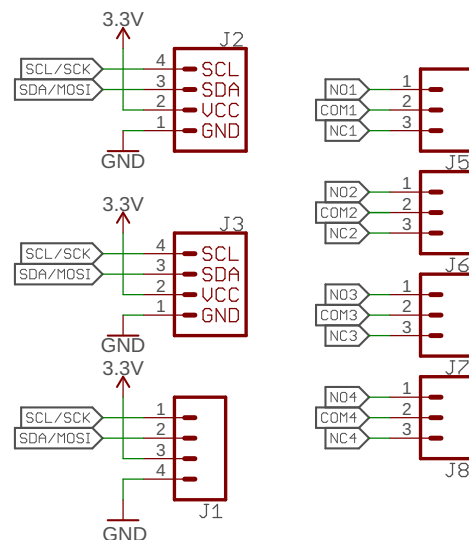
## Power



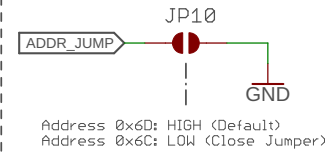
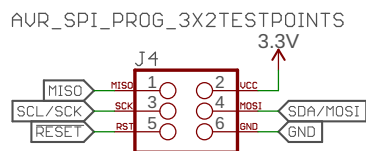
## ATtiny84



## Connectors



## Programming Header



Released under the Creative Commons Attribution Share-Alike 4.0 License  
<https://creativecommons.org/licenses/by-sa/4.0/>

TITLE: Qwic\_Quad\_Relay  
 Design by: Elias Santistevan  
 REV: v10

Date: 11/15/2018 1:29 PM Sheet: 1/1