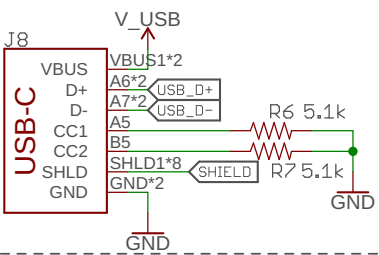
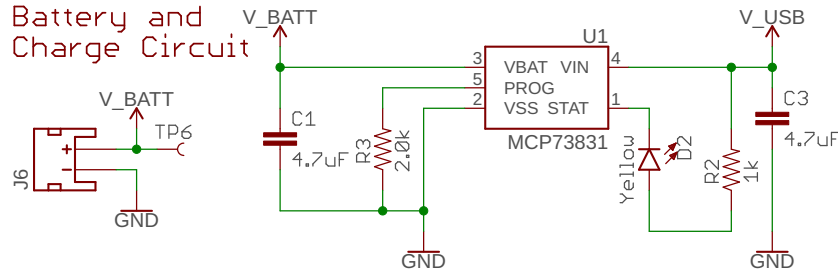


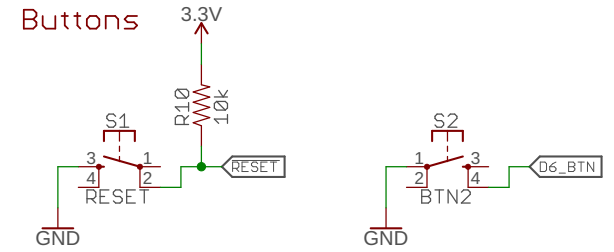
### USB Input



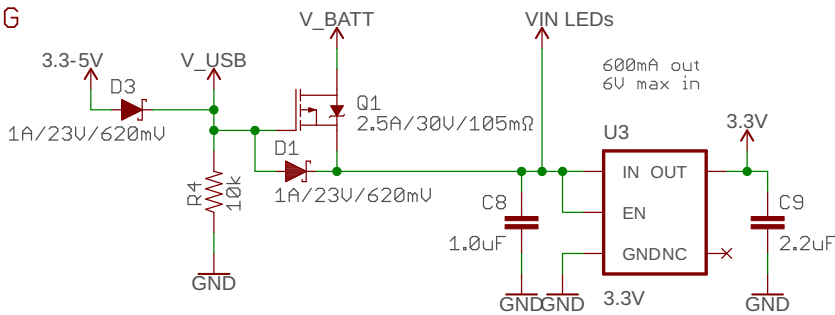
### Battery and Charge Circuit



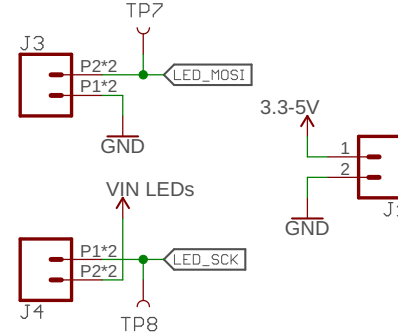
### Buttons



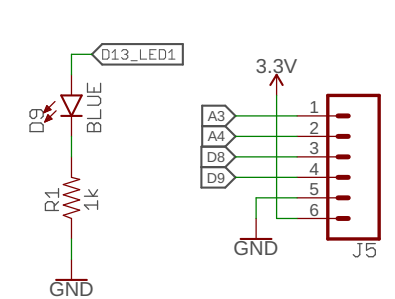
### UREG



### APA102 LED String Connections

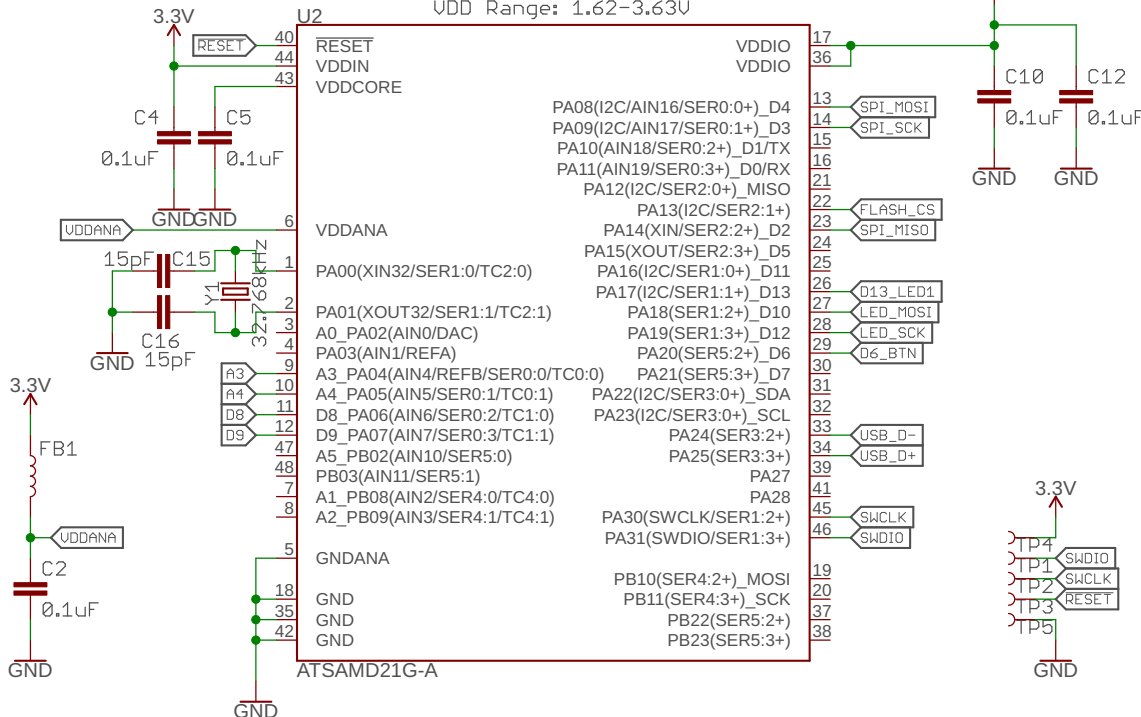


### User LED and Header

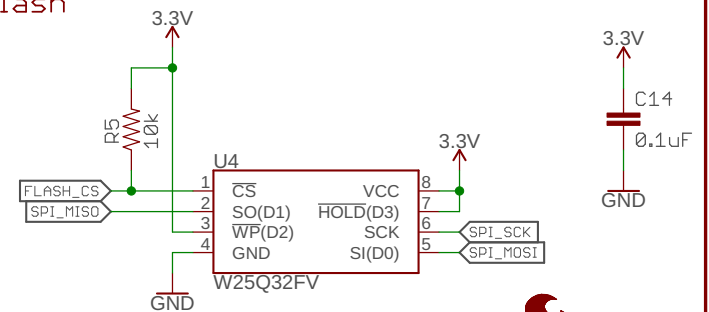


### ATSAMD21G18A

ATSAMD21G18  
UDD Range: 1.62-3.63V



### SPI Flash



Released under the Creative Commons Attribution Share-Alike 4.0 License  
<https://creativecommons.org/licenses/by-sa/4.0/>

TITLE: LumiDrive

Design by: Mike Hord  
 Revised By: Elias Santistevan

REV: v10

Date: 12/5/2018 1:20 PM Sheet: 1/1