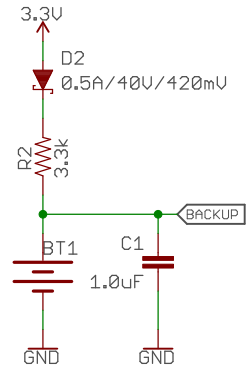
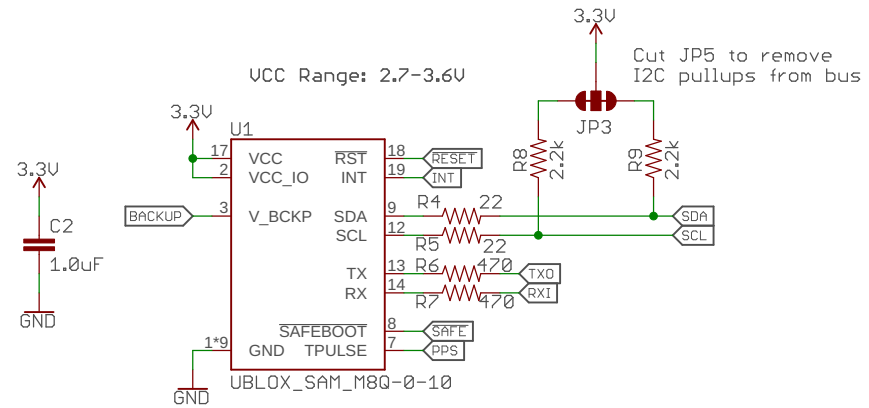


## RTC Backup



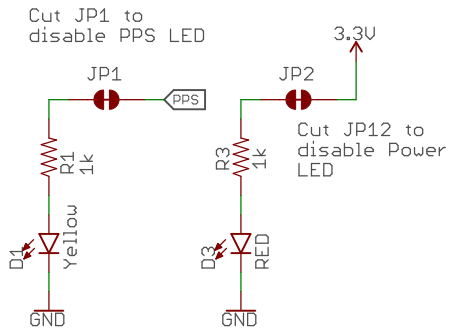
Battery Initial Charge: 2.3-2.8V  
 Battery Charge Rate: 1mA MAX  
 Uoff: 2.0V  
 72 hours charge time from 2.0-3.1V

## Ublox SAM-M8Q

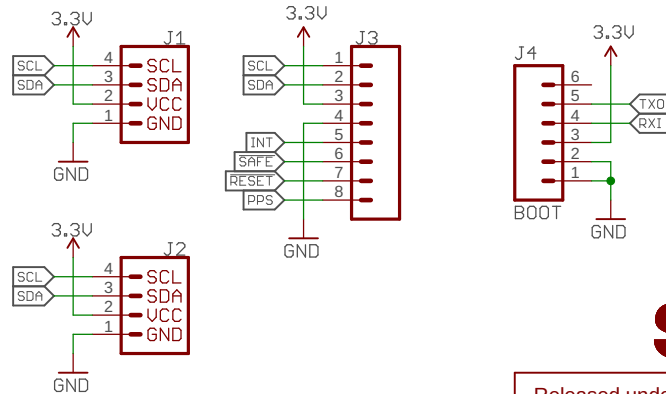


7-bit unshifted I2C address: 0x10

## Pulse Per Second LED



## Connectors



Released under the Creative Commons  
 Attribution Share-Alike 4.0 License  
<https://creativecommons.org/licenses/by-sa/4.0/>



TITLE: SparkFun\_Ublox SAM-M8Q

Design by: Nathan Seidle  
 Revised by: Elias Santistevan

REV:  
 v10

Date: 2/12/2019 8:55 AM

Sheet: 1/1