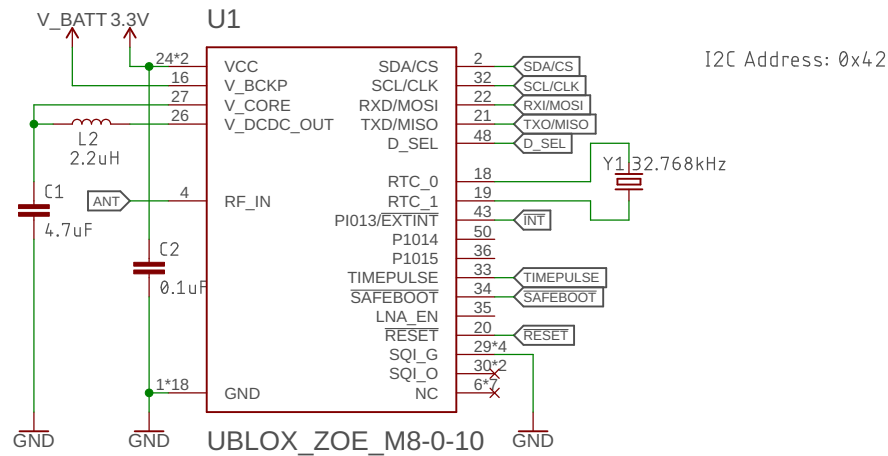
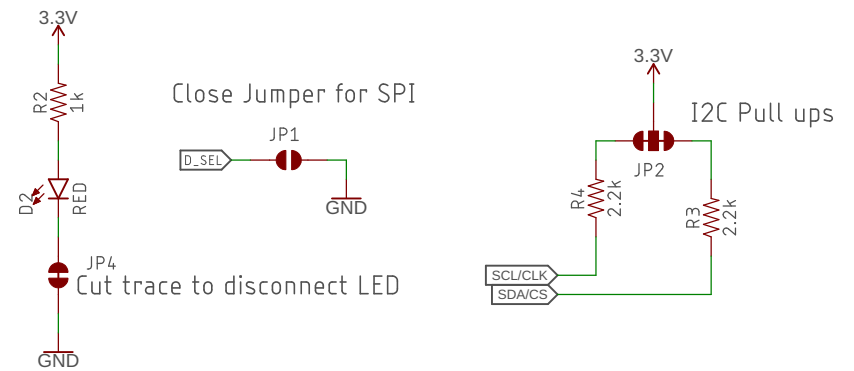


# uBlox ZOE-M8Q-0-10

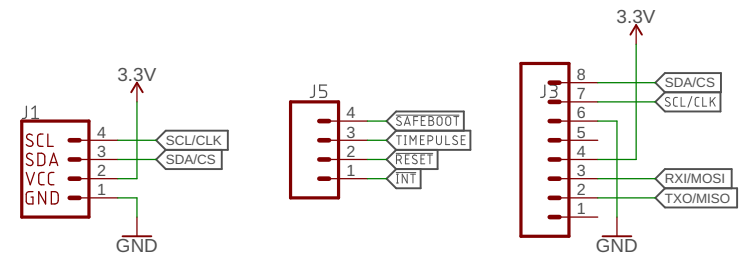
VCC Range: 1.89 – 3.6V



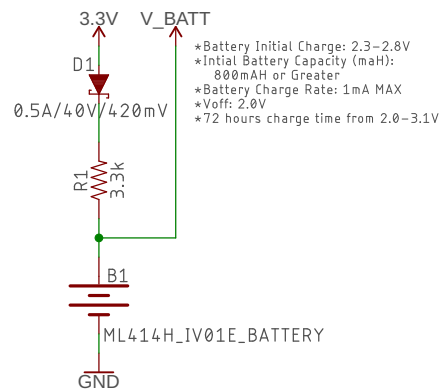
## Jumpers



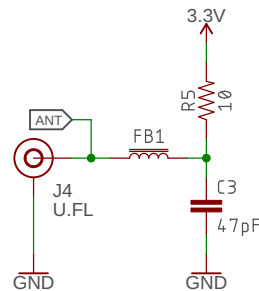
## Connectors



## Battery



## Antenna



**sparkfun**

**open hardware**

Released under the Creative Commons Attribution Share-Alike 4.0 License  
<https://creativecommons.org/licenses/by-sa/4.0/>



TITLE: SparkFun\_ZOE-M8Q GPS

Special Instructions

Design by: Elias Santistevan

REV: v1.0

Date: 2/27/2019 9:38 AM

Sheet: 1/1