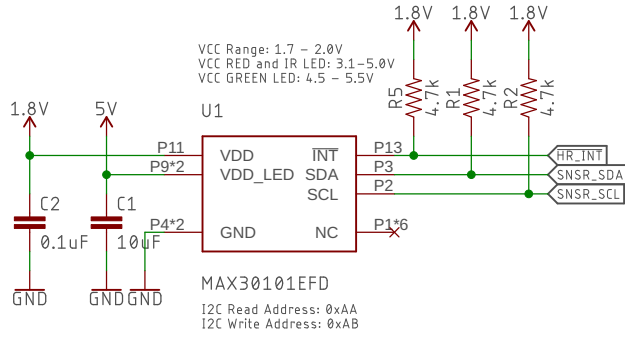
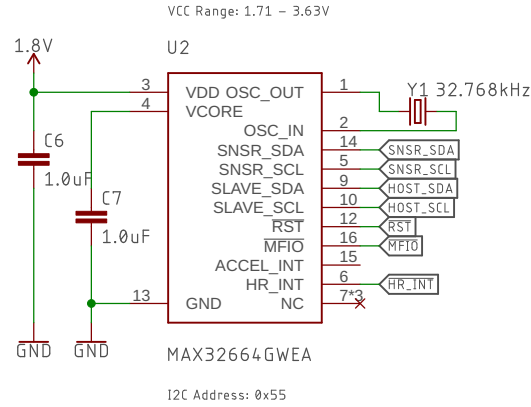


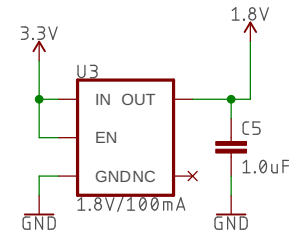
### MAX30101 Pulse Oximeter and Heart Rate Sensor



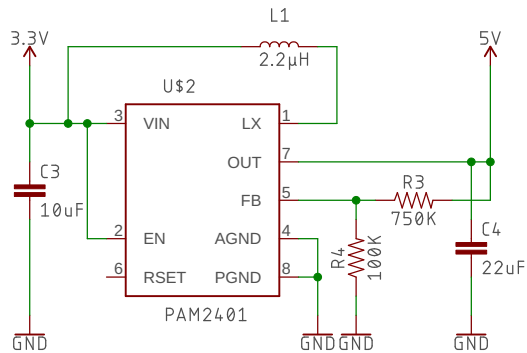
### MAX32644 Biometric HUB



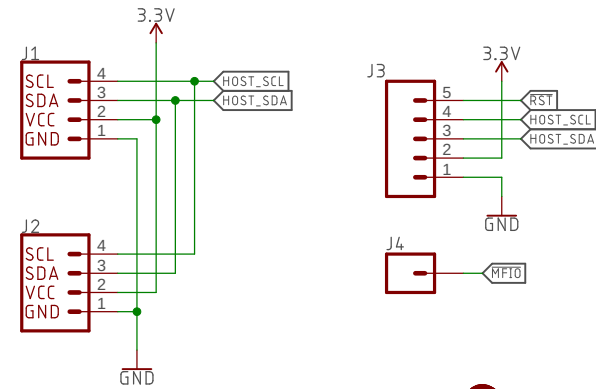
### 1.8V VREG



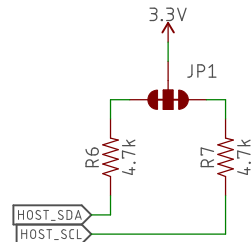
### DC-DC Converter




### Connectors



### I2C Pullup Resistors



Released under the Creative Commons Attribution Share-Alike 4.0 License <https://creativecommons.org/licenses/by-sa/4.0/> 

TITLE: SparkFun\_Pulse\_Oximeter\_Heart-Rate\_Sensor

Design by: Elias Santistevan REV: v01

Date: 3/6/2019 8:52 AM Sheet: 1/1