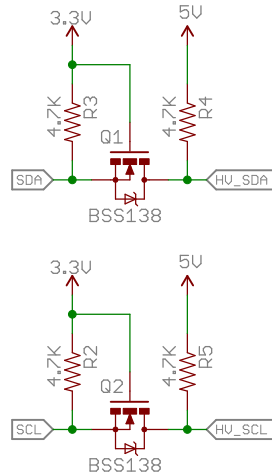
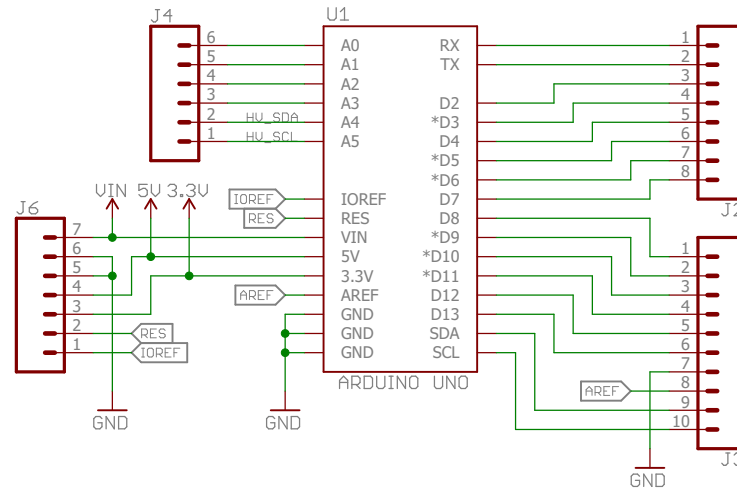


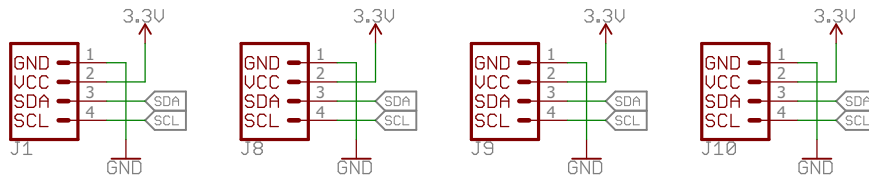
Logic Level Conversion



Arduino



I2C Connectors



Released under the Creative Commons Attribution Share-Alike 4.0 License
<https://creativecommons.org/licenses/by-sa/4.0/>

TITLE: Qwiic Shield for Arduino

Design by: N. Seidle

REV:
x10

Qwiic Board
Outline

SPARK X



Date: 4/17/2017 10:08 AM

Sheet: 1/1