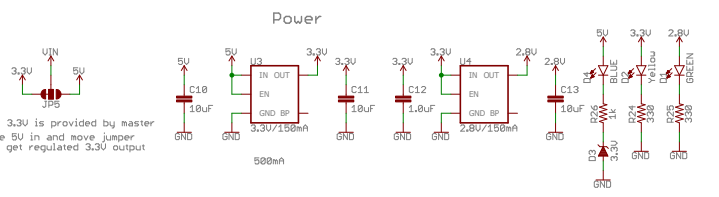
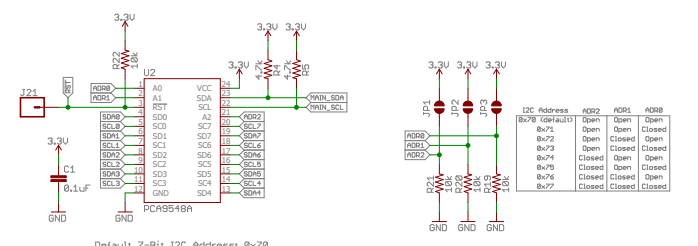


By default 3.3V is provided by master
Provide 5V in and move jumper
to 5V to get regulated 3.3V output



Power

Power



Default 7-Bit I2C Address: 0x70
ADR lines can be set if multiple multiplexers are needed

I2C Address	ADR2	ADR1	ADR0
0x70 (default)	Open	Open	Open
0x71	Open	Closed	Open
0x72	Open	Closed	Closed
0x73	Open	Open	Closed
0x74	Closed	Open	Closed
0x75	Closed	Open	Open
0x76	Closed	Closed	Open
0x77	Closed	Closed	Closed

Released under the Creative Commons Attribution Share-Alike 4.0 License
<https://creativecommons.org/licenses/by-sa/4.0/>
 TITLE: Qwiic Mux
 Design by: N. Seidle
 Date: 4/21/2017 10:50 AM
 Sheet: 1/1

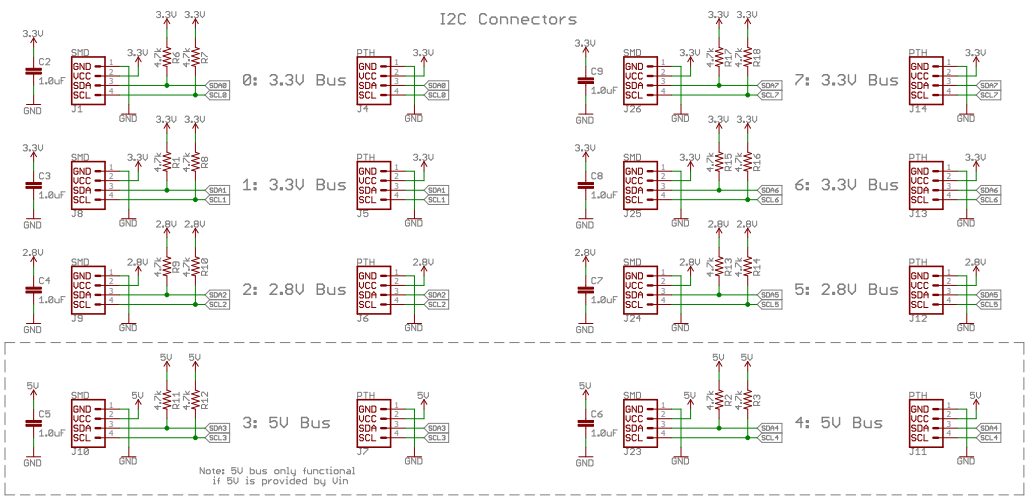


Main

Provides power and data
VIN: 3.3V default



I2C Connectors



Notes: 5V bus only functional if 5V is provided by vin