

MLX90393 Breakout

MODES:

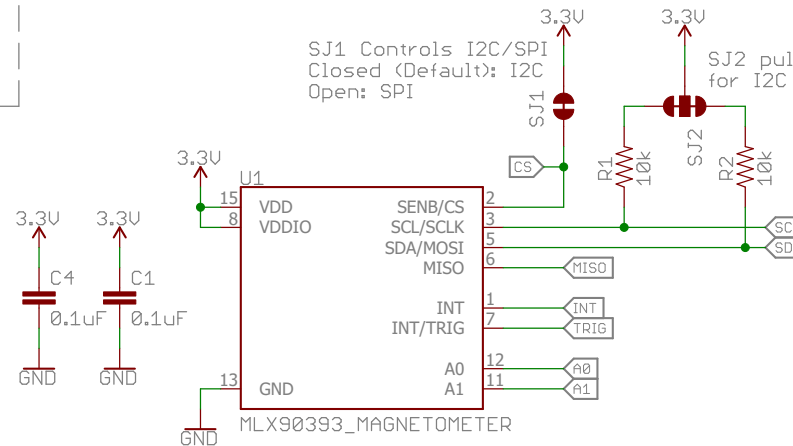
I2C:

Leave the copper-connected jumpers SJ1 and SJ2 as default.
 SJ1 is the LSB of the address.

SPI 4-WIRE:

Jumpers SJ2 can be opened to remove pull-ups on the SPI lines.
 SJ1 must be open for SPI operation.

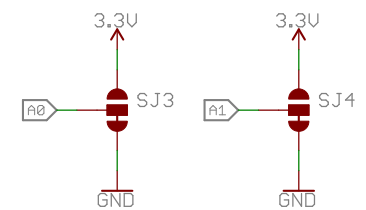
Magnetometer Circuitry



I2C Addressing Table

| A1 | A0 | I2C Address |
|-----|-----|-------------|
| GND | GND | 0001100 |
| GND | VDD | 0001101 |
| VDD | GND | 0001110 |
| VDD | VDD | 0001111 |

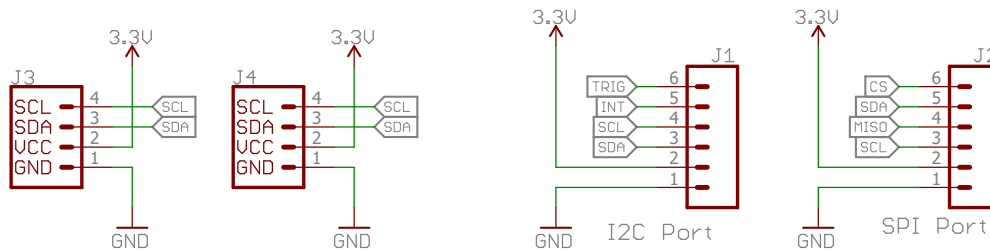
Address selection jumpers



Default 7-bit I2C Adr: 0x0C

User Ports

UCC must be 2.2-3.6V



Released under the Creative Commons Attribution Share-Alike 4.0 License
<https://creativecommons.org/licenses/by-sa/4.0/>

TITLE: Qwiic_MLX90393_Magnetometer

Design by: R. Reynolds

REV:
v11

Date: 4/20/2017 10:27 AM

Sheet: 1/1