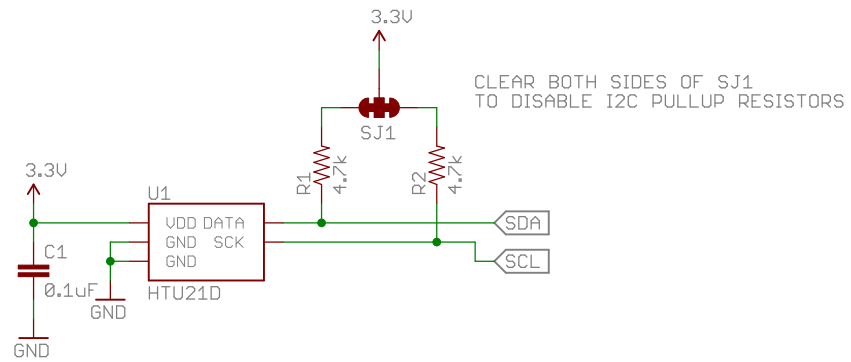
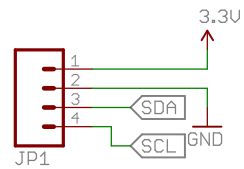


UCC RANGE: 1.5V TO 3.6V



7-bit I2C Address is 0x40
I2C write is 0x80
I2C read is 0x81

Released under the Creative Commons Attribution Share-Alike 3.0 License  <http://creativecommons.org/licenses/by-sa/3.0>

SFE	SFE
-----	-----

TITLE: HTU21D Breakout

Design by:

N. Seidle

REV:



Date: 10/16/2013 9:08:58 AM

Sheet: 1/1