

If JP2 is LOW...

...and

...the I2C

	LOW	OPEN	HIGH	
0xC0	0xC1	0xC2	0xC3	0xC4
0xC5	0xC6	0xC7	0xC8	0xC9
0xCA	0xCB	0xCC	0xCD	0xCE
0xCF	0xD0	0xD1	0xD2	0xD3
				READ WRITE

If JP2 is OPEN...

...and

...the I2C

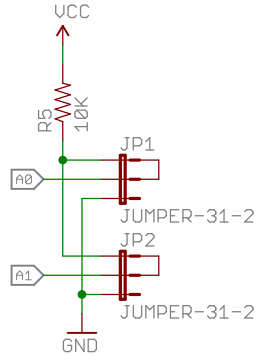
	LOW	OPEN	HIGH	
0xC6	0xC7	0xC8	0xC9	0xCA
0xCB	0xCC	0xCD	0xCE	0xCF
0xD0	0xD1	0xD2	0xD3	0xD4
0xD5	0xD6	0xD7	0xD8	0xD9
				READ WRITE

If JP2 is HIGH...

...and

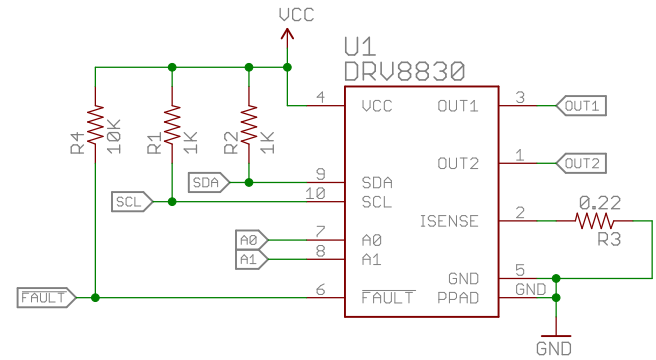
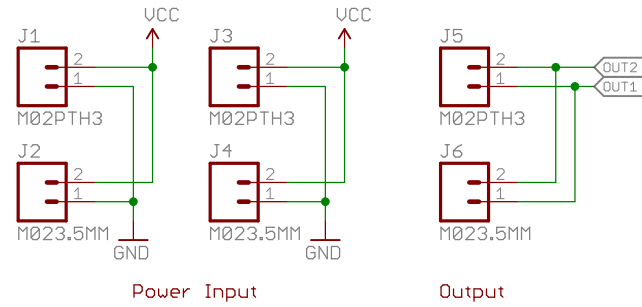
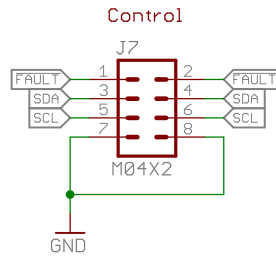
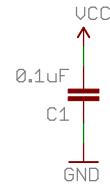
...the I2C

	LOW	OPEN	HIGH	
0xCC	0xCD	0xCE	0xCF	0xD0
0xD1	0xD2	0xD3	0xD4	0xD5
0xD6	0xD7	0xD8	0xD9	0xDA
0xDB	0xDC	0xDD	0xDE	0xDF
				READ WRITE



I2C Address Jumpers

Default: High/High



R3 sets current limit

$$R_{SENSE} = \frac{200mV}{I_{LIMIT}}$$

Default: 910mA



open hardware

Released under the Creative Commons Attribution Share-Alike 3.0 License  
<http://creativecommons.org/licenses/by-sa/3.0>

TITLE: MiniMoto

SFE

Design by:

M. Hord

REV: 10

Date: 7/25/2013 2:52:26 PM

Sheet: 1/1