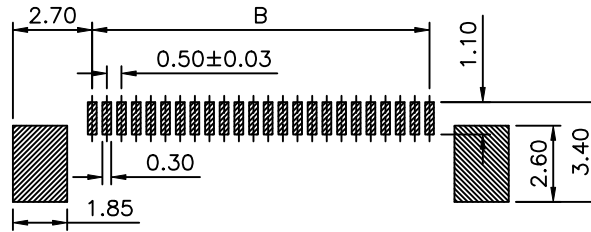
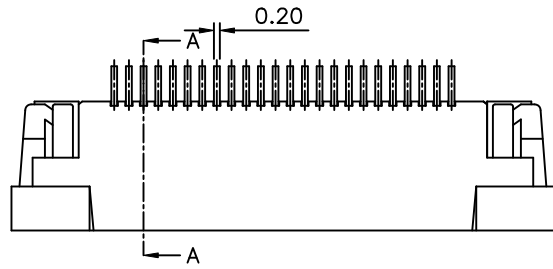
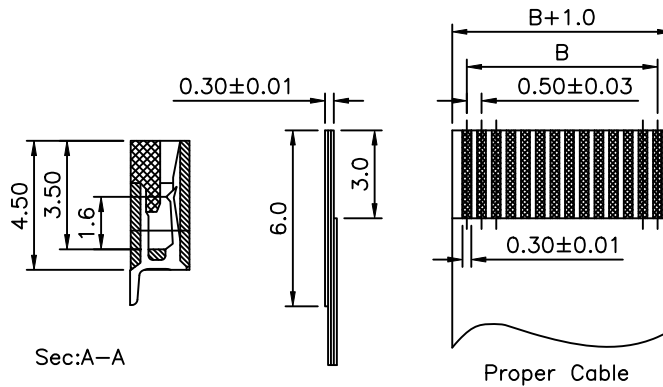
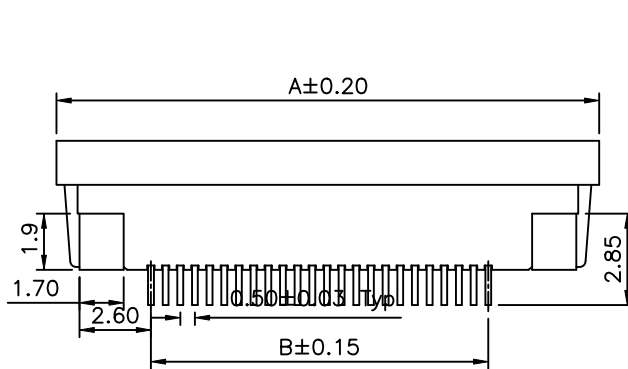
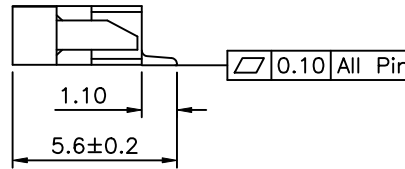
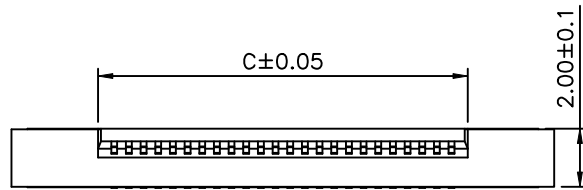


SPECIFICATION

- General Characteristics:**
0.50 FPC/FFC SMT Right Angle ZIF
Top Contact
- Material&Finish:**
Housing: Engineering Thermoplastic UL94V-0
Ivory In Colour
Latch: Engineering Thermoplastic UL94V-0
Black In Colour
Contact: Copper Alloy
Peg: Copper Alloy
- Electrical Characteristics:**
Current Rating: 1Amp Min.
Voltage Rating: 500VAC Min
Contact Resistance: 40 Milliohms Max.
Insulation Resistance: 100 Megohms Min. At 500VDC
- Solderability**
Resistance To Soldering Heat: 260±5°C
- Environmental Characteristics:**
Operating Temperature: -20°C To +85°C
- RoHS Compliant**



Recommended P.C.Board Layout



Pin	A	B	C	Pin	A	B	C
4	8.5	1.5	2.60	26	19.5	12.5	13.60
5	9.0	2.0	3.10	28	20.5	13.5	14.60
6	9.5	2.5	3.60	30	21.5	14.5	15.60
7	10.0	3.0	4.10	32	22.5	15.5	16.60
8	10.5	3.5	4.60	34	23.5	16.5	17.60
9	11.0	4.0	5.10	36	24.5	17.5	18.60
12	12.5	5.5	6.60	38	25.5	18.5	19.60
15	14.0	7.0	8.10	40	26.5	19.5	20.60
18	15.5	8.5	9.60	42	27.5	20.5	21.60
20	16.5	9.5	10.60	45	29.0	22.0	23.10
22	17.5	10.5	11.60	50	31.5	24.5	25.60
23	18.0	11.0	12.10	54	33.5	26.5	27.60
24	18.5	11.5	12.60	57	35.0	28.0	29.10
25	19.0	12.0	13.10	60	36.5	29.5	30.60

4UCON 元化興業股份有限公司
4UCON TECHNOLOGY INC.

DRAWING No.
08644

APPROVED BY MEI
CHECKED BY HZF
DRAWING BY JLT

UNLESS OTHERWISE SPECIFIED TOLERANCES ARE
.X ±0.10
.XX ±0.05
ANG.

SCALE NONE

REV. A1

UNIT mm

NO.	REV.	REVISIONS	CHK	DATE
△ A1		DEL Pin#27,#29	HZF	05/27/2008
△ A0		NEW RELEASE	HZF	06/22/2007