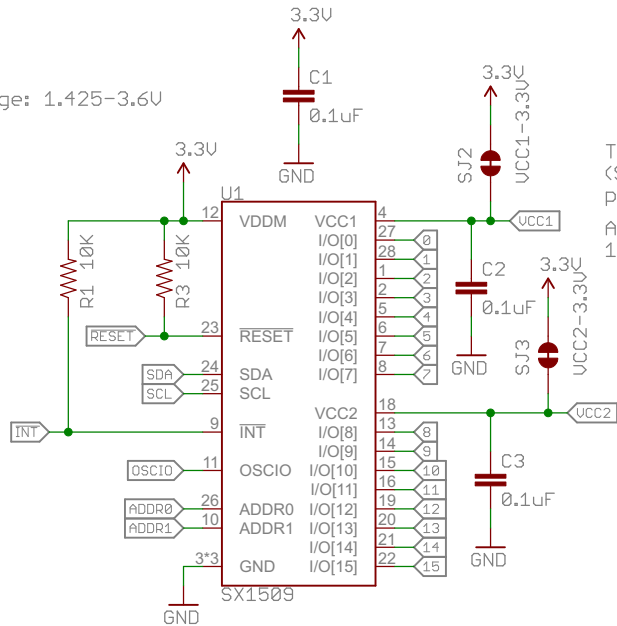


SX1509

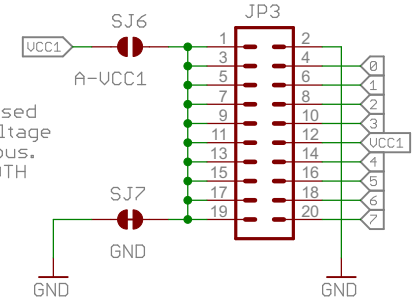
VDD Range: 1.425-3.6V



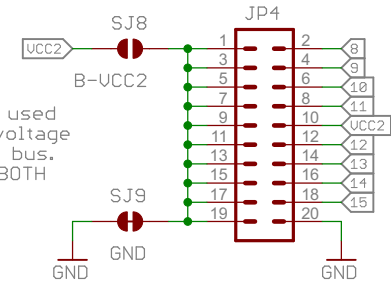
The VCC1/2 jumpers (SJ2, SJ3) set those pins to 3.3V.

Allowable VCC1/2 Range: 1.2-3.6V

I/O headers

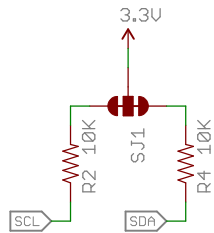


SJ6 & SJ7 are used to select the voltage of the A power bus. DO NOT CLOSE BOTH JUMPERS!



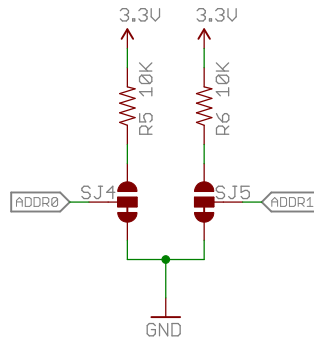
SJ8 & SJ9 are used to select the voltage of the B power bus. DO NOT CLOSE BOTH JUMPERS!

I2C Pull-up Resistors



SJ1 enables/disables 10k pull-up resistors on the SDA and SCL lines. (Default: closed)

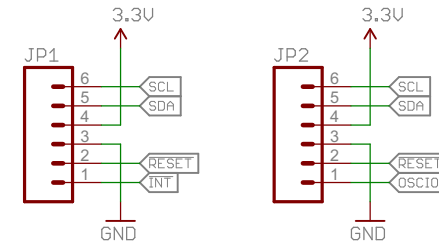
I2C Address Select



SJ4 and SJ5 set the I2C address of the SX1509.

I2C Addresses [ADDR1][ADDR0]:
 00 - 0x3E (default)
 01 - 0x3F
 10 - 0x70
 11 - 0x71

Control Signal and Power Input Headers



Released under the Creative Commons Attribution Share-Alike 4.0 License
<https://creativecommons.org/licenses/by-sa/4.0/>

TITLE: SparkFun-SX1509-Breakout-v20

Design by:
 Jim Lindblom

REV:
 v20

Date: 9/24/2015 9:03:14 AM

Sheet: 1/1

