

深圳市昱申科技有限公司

CHINA YOUNG SUN LED TECHNOLOGY CO., LTD.

TEL: (86) 755-28079401 28079402 28079403 28079404 28079405

FAX: (86) 755-28079407 E-mail: info@100LED.com Web: www.100LED.com

Model No.: YSD-160AR4B-8

Applications:

- ☐ Moving Message Display
- ☐ Full Color Display
- ☐ Banking Board
- ☐ Score Boards
- ☐ Digital Display

LED Chip Absolute Maximum Ratings: (Ta=25 °C)

Items	Symbol	Absolute Maximum Rating	Unit
Forward current	I_F	20	mA
Peak forward current (Duty Cycle=1/10, 10KHz)	I_{PF}	30	mA
Reverse Current (V _R =5V)	I_R	10	μA
Operating temp	T _{OPR}	-25~ 85	°C
Storage temp	T _{STG}	-30~85	°C
Peak Emission Wavelength	λ_{PH}	630	nm

* Soldering Bath: not more than 5 seconds @260 °C. The bottom ends of the plastic reflector should be at least 2mm above the solder surface

Soldering Iron: not more than 3 seconds @300 °C under 30W

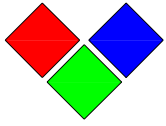
LED Chip Typical Electrical & Optical Characteristics: (Ta=25 °C)

ITEMS	Symbol	Condition	Min.	Typ.	Max.	Unit
Forward Voltage	V _F	I _F =20mA	1.8		2.2	V
Luminous Intensity	I _v	I _F =20mA	50		100	mcd
Wavelength	$\Delta \lambda$	I _F =20mA	625		630	nm
Light Degradation after 1000 hours			-4.68% ~ -8.27%			

Address: 5/F, Building B, Anzhilong Indl., Qinghua East Road., Longhua Town, Shenzhen CHINA. 518109

www.100LED.com

ONE HUNDRED LED
PERFECT LED



深圳市昱申科技有限公司

CHINA YOUNG SUN LED TECHNOLOGY CO., LTD.

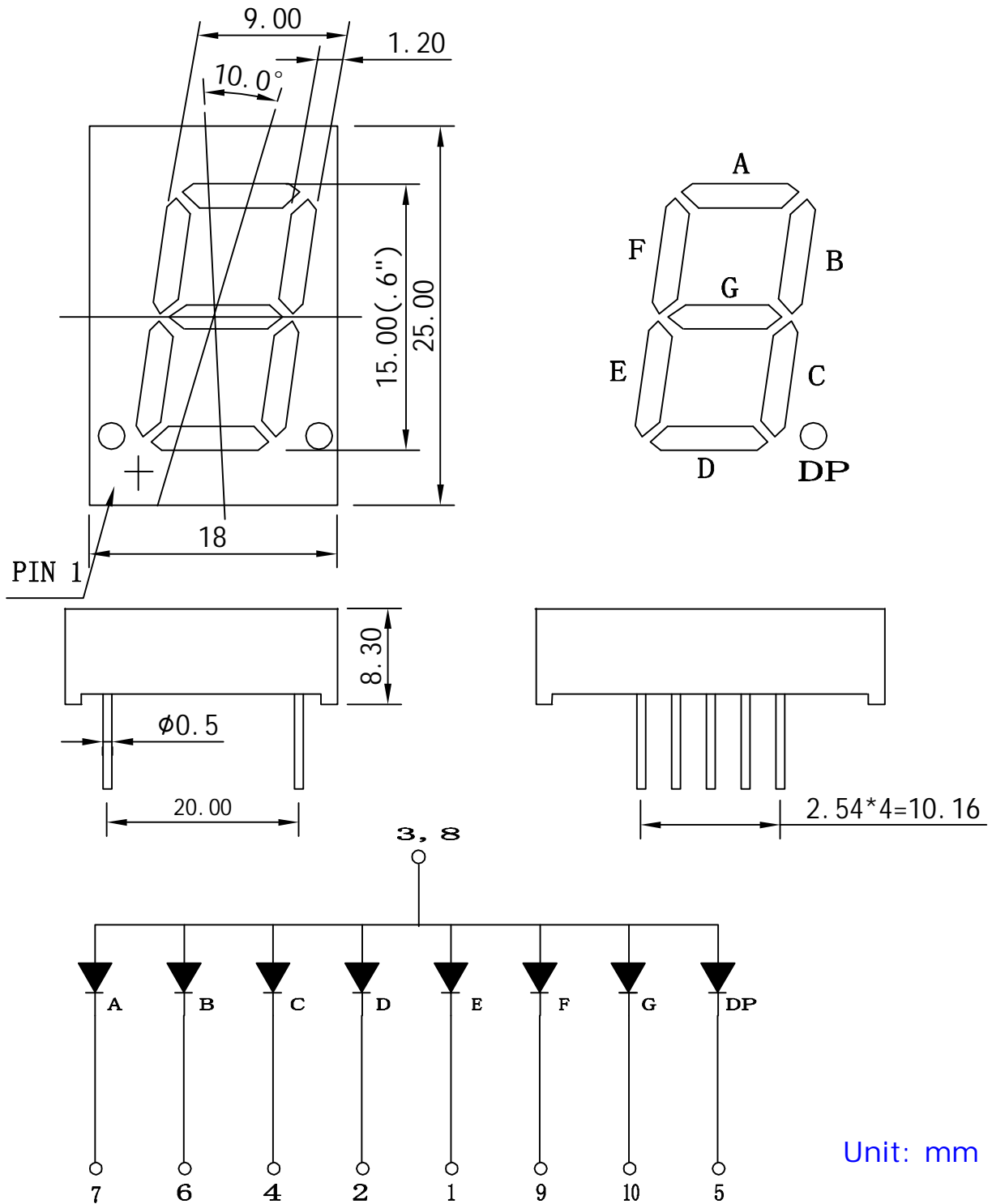
TEL: (86) 755-28079401 28079402 28079403 28079404 28079405

FAX: (86) 755-28079407 E-mail: info@100LED.com Web: www.100LED.com

Mechanical Dimensions:

All dimension are in mm, tolerance is $\pm 0.2\text{mm}$ unless otherwise noted

An epoxy meniscus may extend about 1.5mm down the leads.



Unit: mm