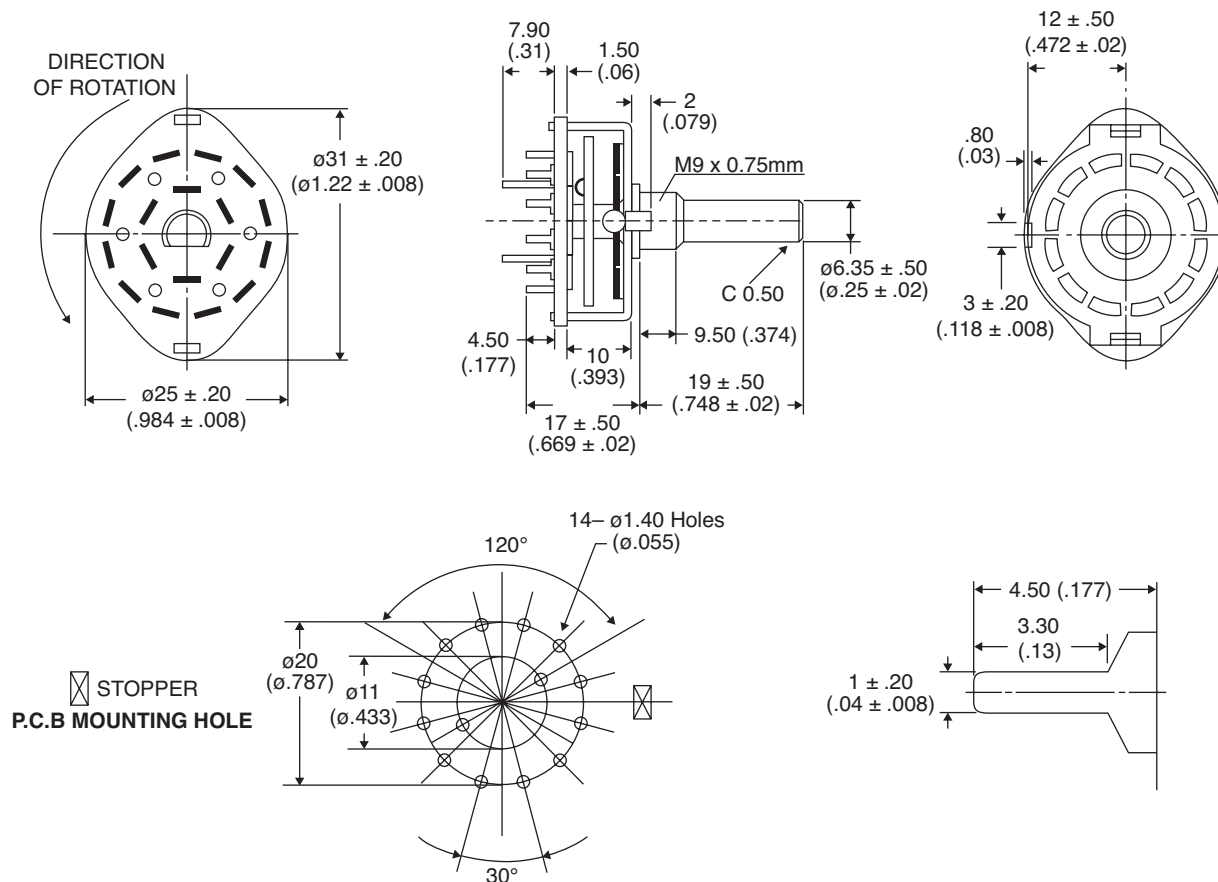




Rotary Switches

SR2512F-0108-19R0B-E9-N-W, SR2512F-0205-19R0B-E9-N-W
 SR2512F-0206-19R0B-E9-N-W, SR2512F-0304-19R0B-E9-N-W
 SR2512F-0403-19R0B-E9-N-W, SR2512F-0602-19R0B-E9-N-W
 SR2512F-0110-19R0B-E9-N-W, SR2512F-0112-19R0B-E9-N-W

Dimensions: mm (in.)



Electrical Specifications:

- Rating: 0.3A/125VAC
- Contact resistance: 50m Ω max.
- Insulation resistance: 100M Ω @ 500VDC min.
- Dielectric strength: 250VAC for 1 minute

Mechanical Specifications:

- Type: PC mount; non-shorting contact (break before make)
- Rotation torque: 1.0+0.5KG/cm

Materials:

- Hardware included: 1 hexagon nut & 2 washers
- Shaft: 3/8"

Note:

- RoHS Compliant

Alpha Part No.	Poles	Position
SR2512F-0108-19R0B-E9-N-W	1	8
SR2512F-0205-19R0B-E9-N-W	2	5
SR2512F-0206-19R0B-E9-N-W	2	6
SR2512F-0304-19R0B-E9-N-W	3	4
SR2512F-0403-19R0B-E9-N-W	4	3
SR2512F-0602-19R0B-E9-N-W	6	2
SR2512F-0110-19R0B-E9-N-W	1	10
SR2512F-0112-19R0B-E9-N-W	1	12