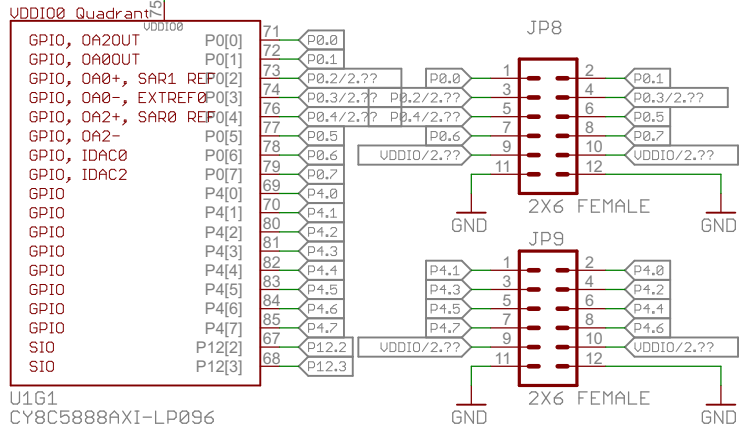
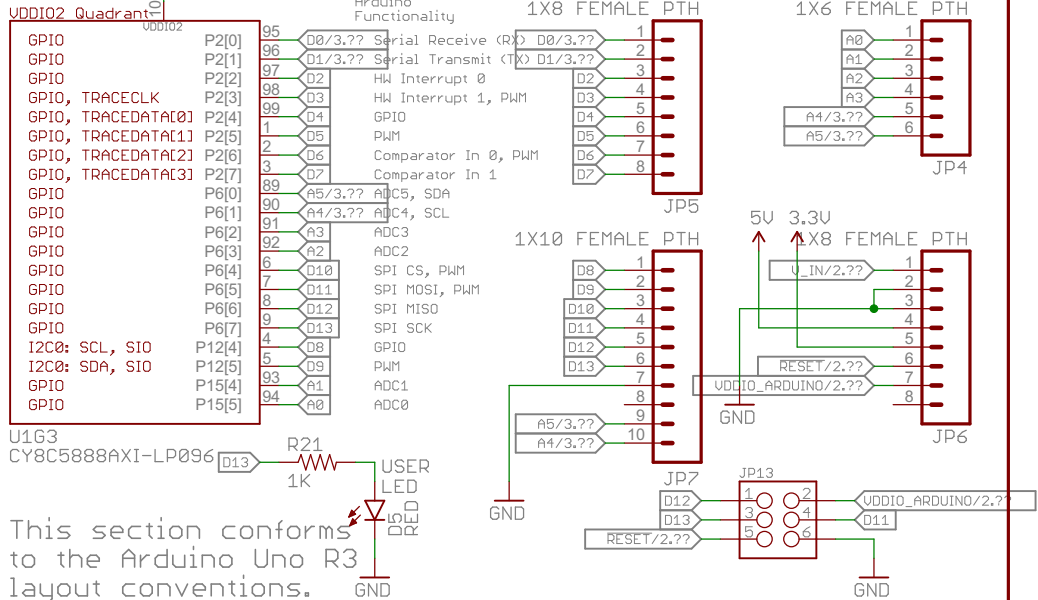


Quadrant 0



U1G1
CY8C5888AXI-LP096

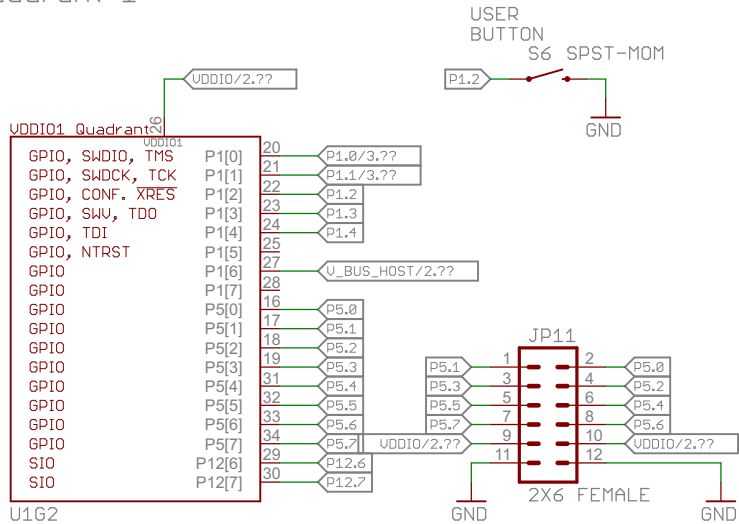
Quadrant 2



U1G3
CY8C5888AXI-LP096

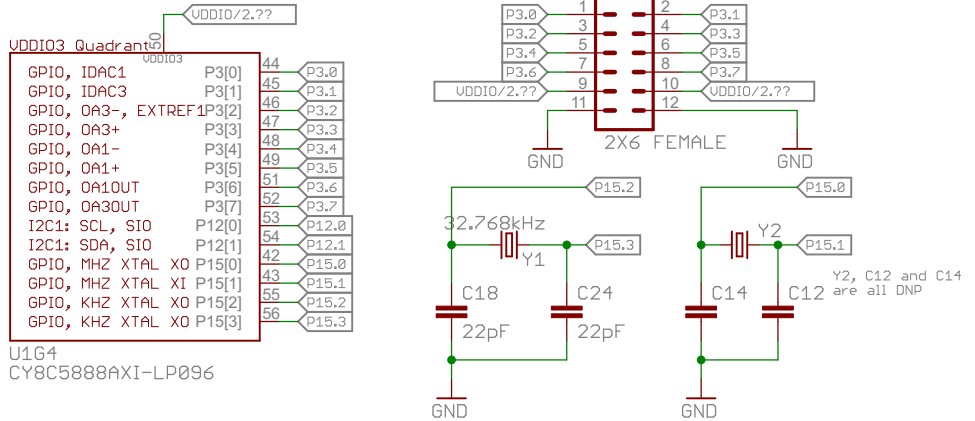
This section conforms to the Arduino Uno R3 layout conventions.

Quadrant 1



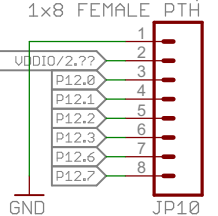
U1G2
CY8C5888AXI-LP096

Quadrant 3



U1G4
CY8C5888AXI-LP096

Port 12 (SIO pins)



Released under the Creative Commons Attribution Share-Alike 4.0 License
<https://creativecommons.org/licenses/by-sa/4.0/>

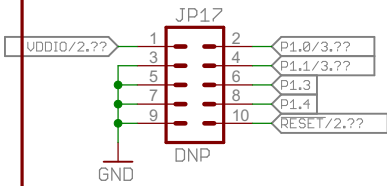
TITLE: SparkFun_FreeSoC2_v11

Design by: Mike Hord

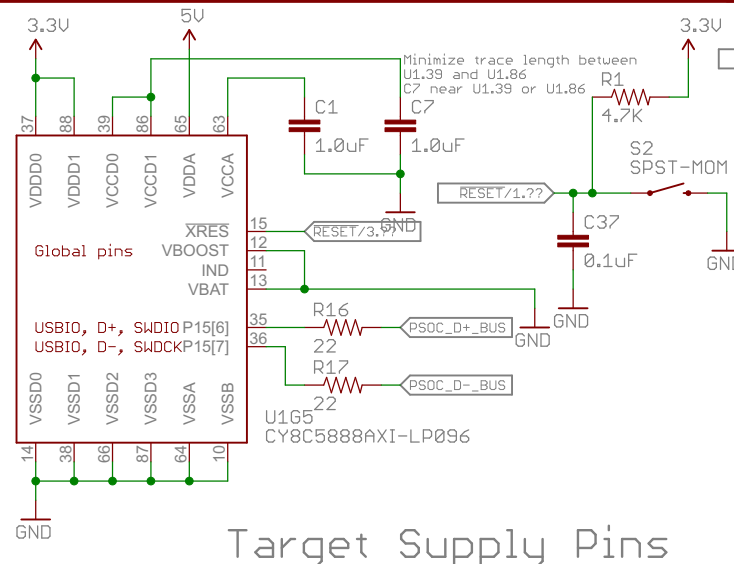
REV: 11

Date: 3/20/2015 10:30:50 AM

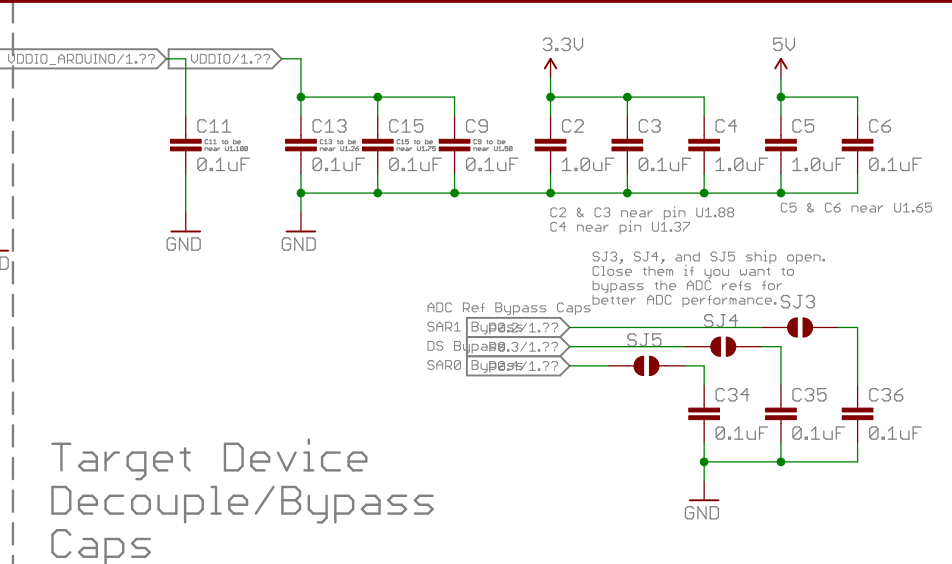
Sheet: 1/3



Developed with help from Jon Moeller and Cypress Semiconductor

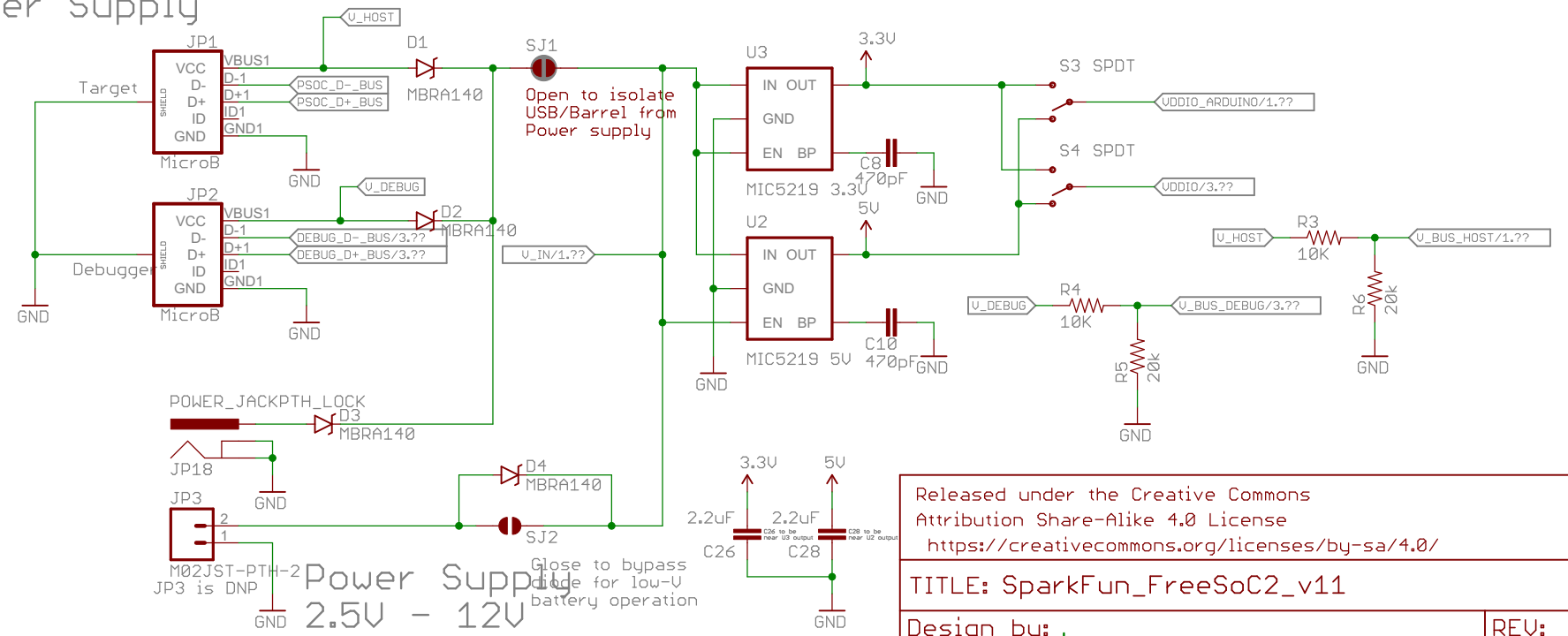


Target Supply Pins



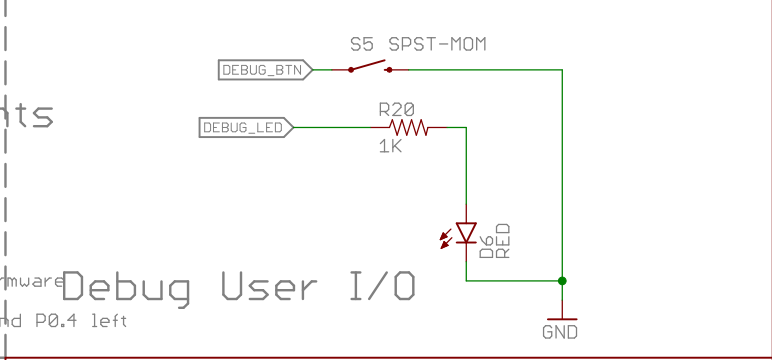
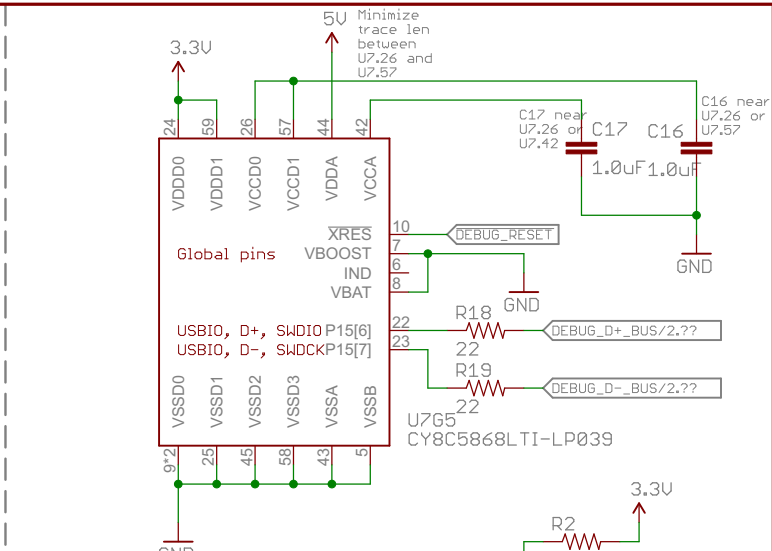
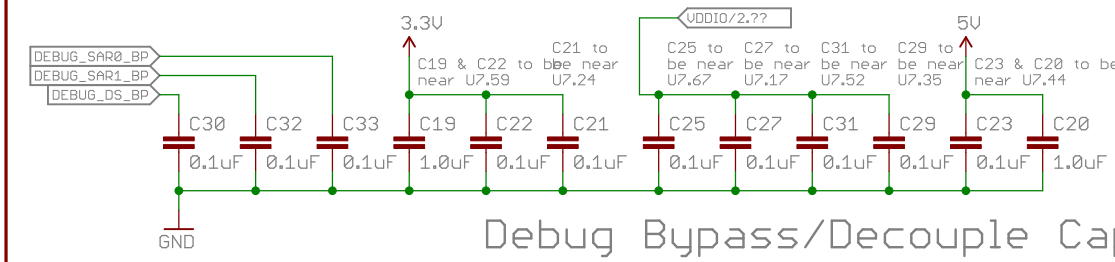
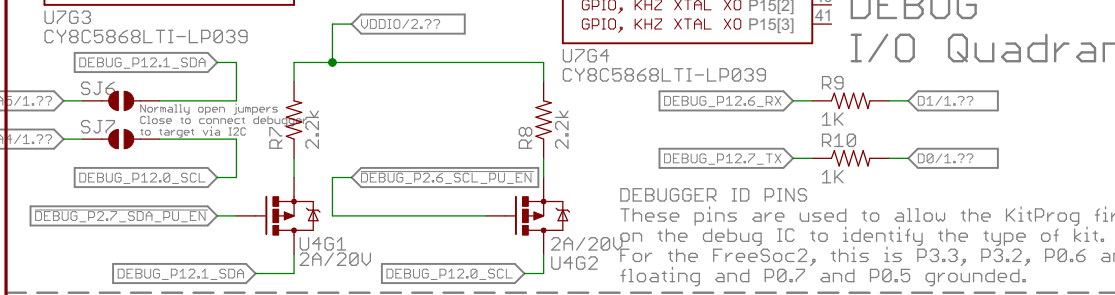
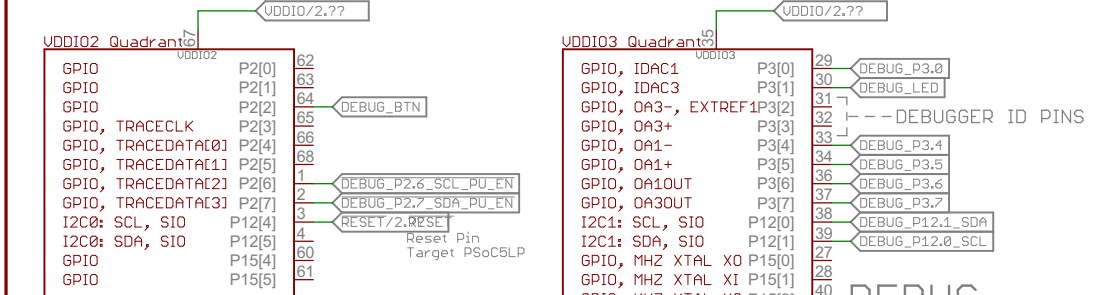
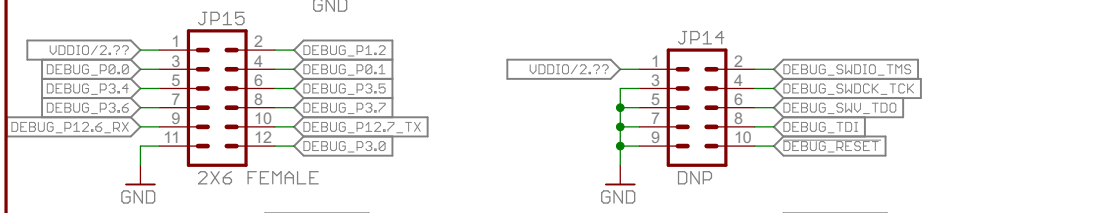
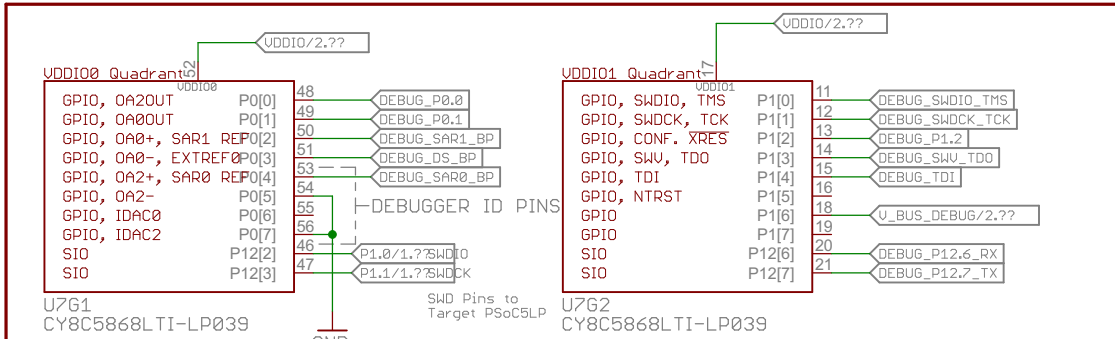
Target Device Decouple/Bypass Caps

Power Supply



Power Supply 2.5V - 12V

Released under the Creative Commons Attribution Share-Alike 4.0 License https://creativecommons.org/licenses/by-sa/4.0/	
TITLE: SparkFun_FreeSoC2_v11	
Design by: Mike Hord	REV: 11
Date: 3/20/2015 10:30:50 AM	Sheet: 2/3



Released under the Creative Commons Attribution Share-Alike 4.0 License
<https://creativecommons.org/licenses/by-sa/4.0/>

TITLE: SparkFun_FreeSoC2_v11

Design by: **Mike Hord**

REV: **11**

Date: 3/20/2015 10:30:50 AM

Sheet: 3/3