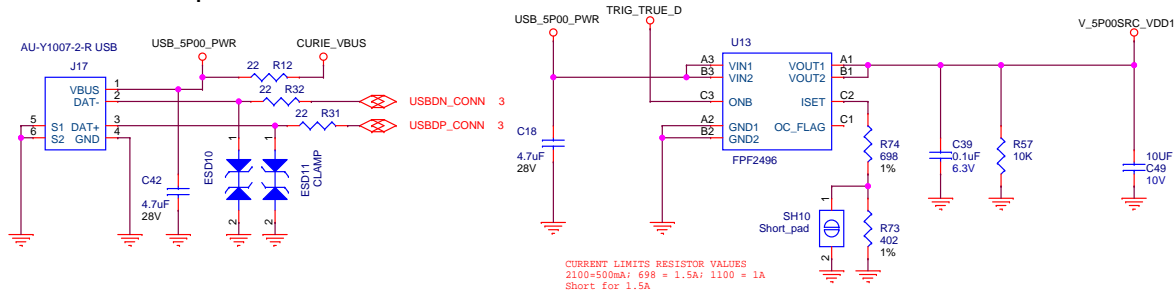
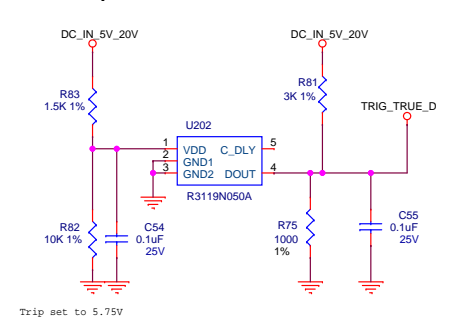


USB Power Input



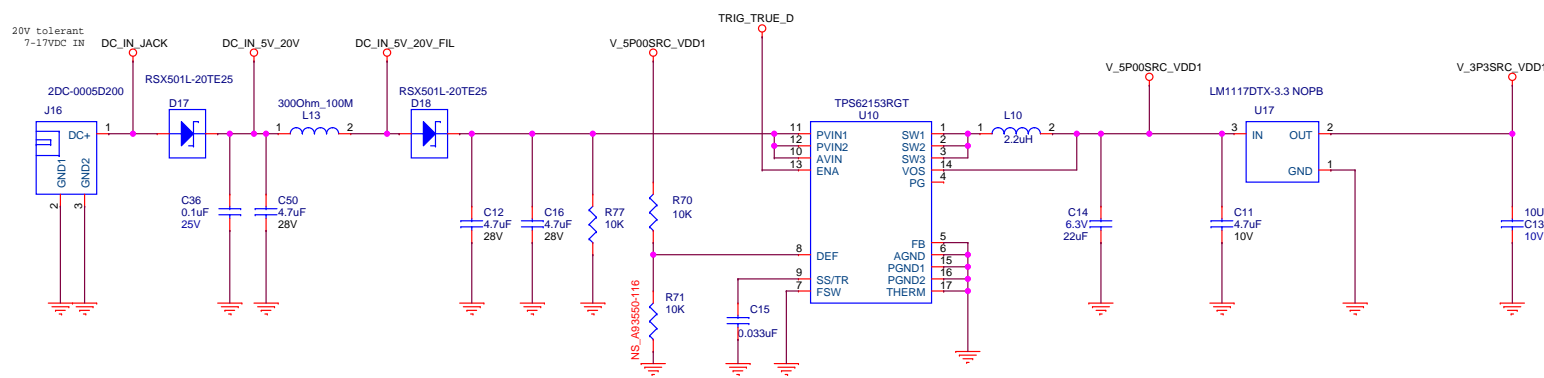
CURRENT LIMITS RESISTOR VALUES
 2100=500mA; 698 = 1.5A; 1100 = 1A
 Short for 1.5A

Power Input SEL

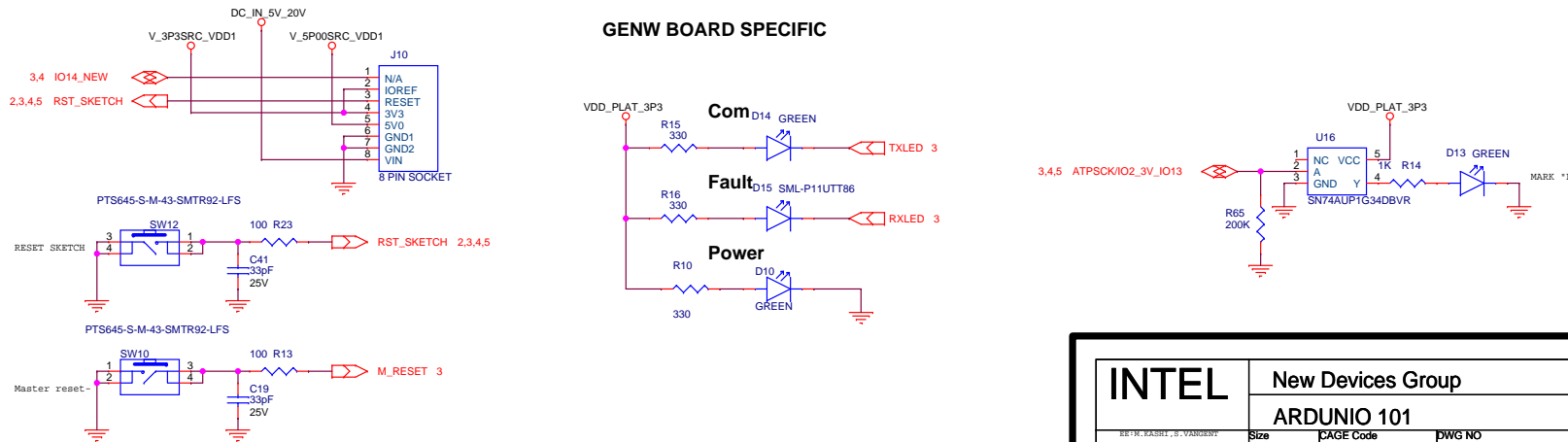


Trip set to 5.75V

Barrel Power Input

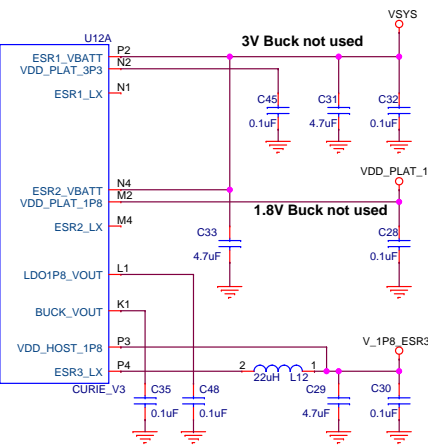
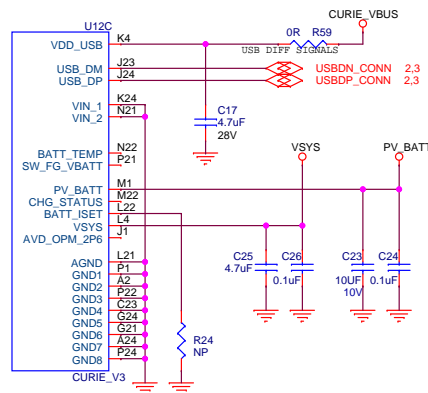
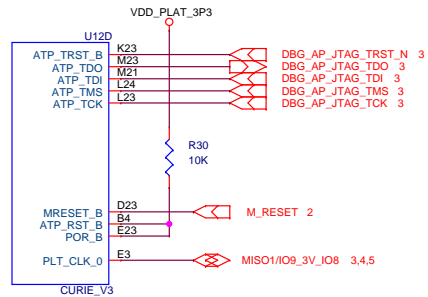


GENW BOARD SPECIFIC

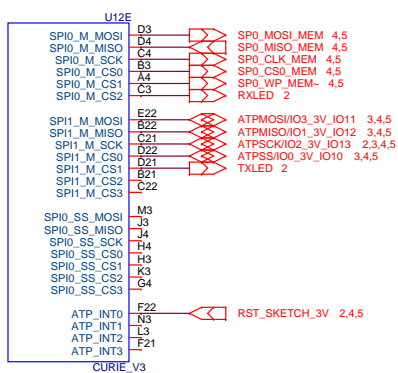
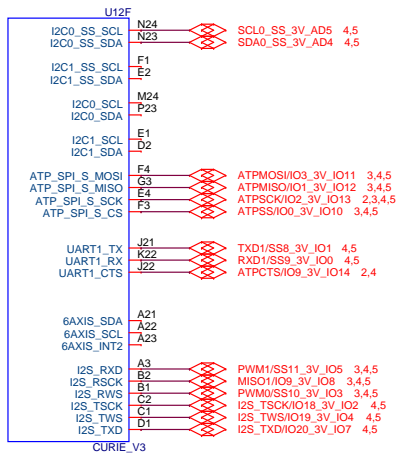
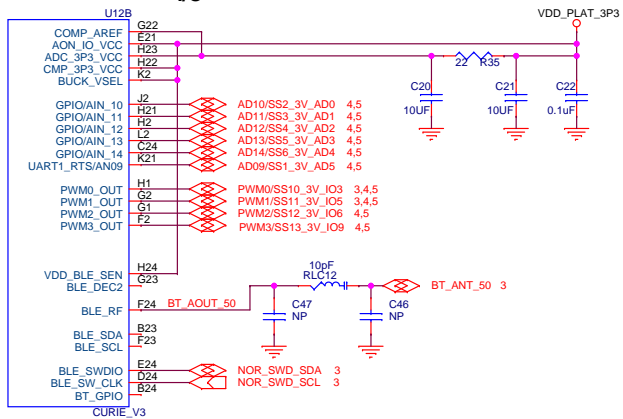


INTEL		New Devices Group	
		ARDUNIO 101	
DATE: KABL1_8-VARIANT	Size	CAGE Code	DWG NO
Custom			SCHEM FOR TA-H94227
Tuesday, November 10, 2015		Scale	Sheet 2 of 4

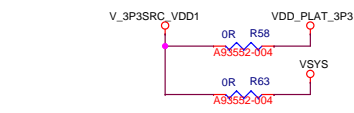
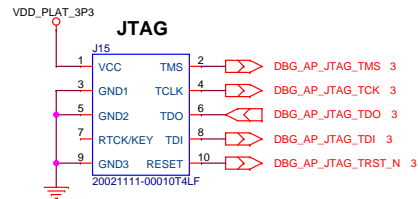
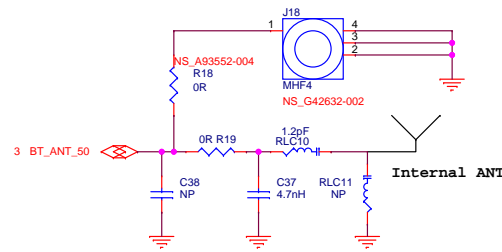
Power and reset



I/O



Antenna



Test Points

- 3 NOR_SW_D_SDA TPB10
- 3 NOR_SW_D_SCL TPB11

Test JTAG

- 3 DBG_AP_JTAG_TMS TPB12
- 3 DBG_AP_JTAG_TCK TPB13
- 3 DBG_AP_JTAG_TDO TPB14
- 3 DBG_AP_JTAG_TDI TPB15
- 3 DBG_AP_JTAG_TRST_N TPB16
- 2,3 USB_DN_CONN TPB17
- 2,3 USB_DP_CONN TPB18

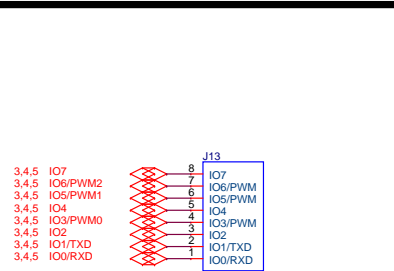
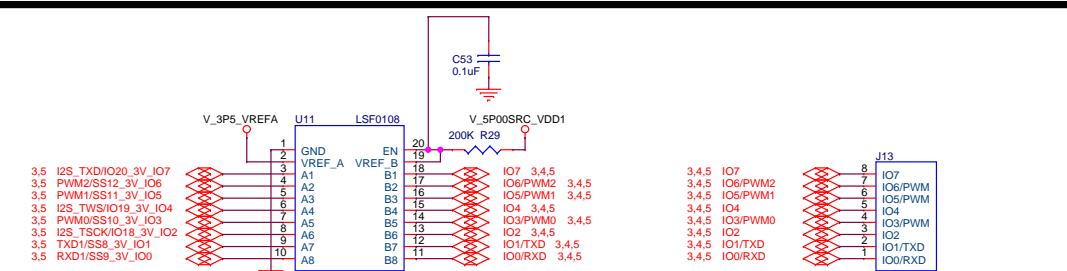
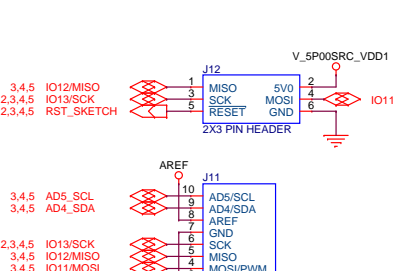
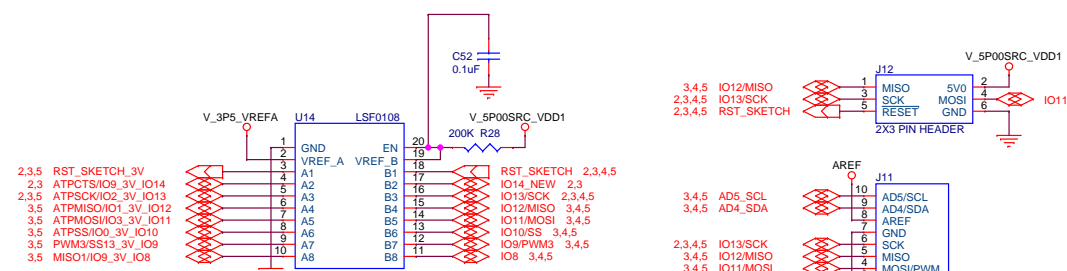
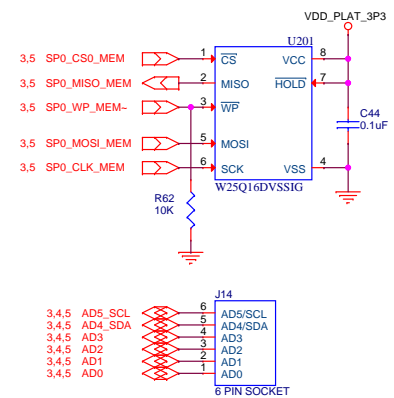
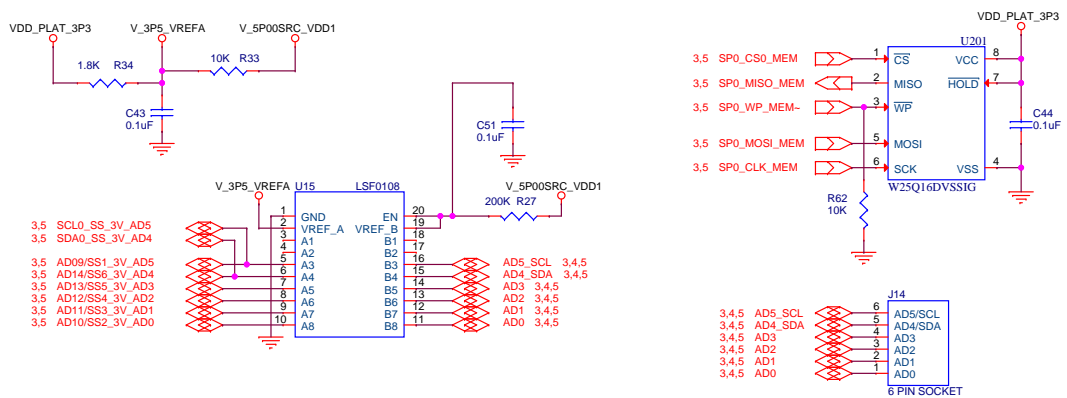
- USB_5P00_PWR TPB19
- DC_IN_JACK TPB20
- VDD_PLAT_3P3 TPB21
- VDD_PLAT_3P3 TPB22
- VDD_PLAT_3P3 TPB23

INTEL

New Devices Group

ARDUNIO 101

DATE: KABL1.8-VARIANT	Size	CAGE Code	DWG NO	Rev
Monday, November 09, 2015	Custom		SCHEM FOR TA-H94227	A
		Scale	Sheet	3 of 4



Intel® Curie™ Design Document

This Intel® Curie™ design document is licensed by Intel under the terms of the Creative Commons Attribution Share-Alike License (ver. 3), subject to the following terms and conditions. The Intel® Curie™ design document IS PROVIDED "AS IS" AND "WITH ALL FAULTS." Intel DISCLAIMS ALL OTHER WARRANTIES, EXPRESS OR IMPLIED REGARDING THE CURIE DESIGN OR THIS CURIE DESIGN DOCUMENT INCLUDING, BUT NOT LIMITED TO, ANY IMPLIED WARRANTIES OF MERCHANTABILITY OR FITNESS FOR A PARTICULAR PURPOSE. Intel® may make changes to the specifications, schematics and product descriptions at any time, without notice. The Customer must not rely on the absence or characteristics of any features or instructions marked "reserved" or "undefined." Intel® reserves these for future definition and shall have no responsibility whatsoever for conflicts or incompatibilities arising from future changes to them.

END/01

INTEL		New Devices Group	
		ARDUNIO 101	
Rev: 1	Size: Custom	CAGE Code: SCHEM FOR TA-H94227	DWG NO: 1
Tuesday, November 10, 2015	Scale:	Sheet 4 of 4	