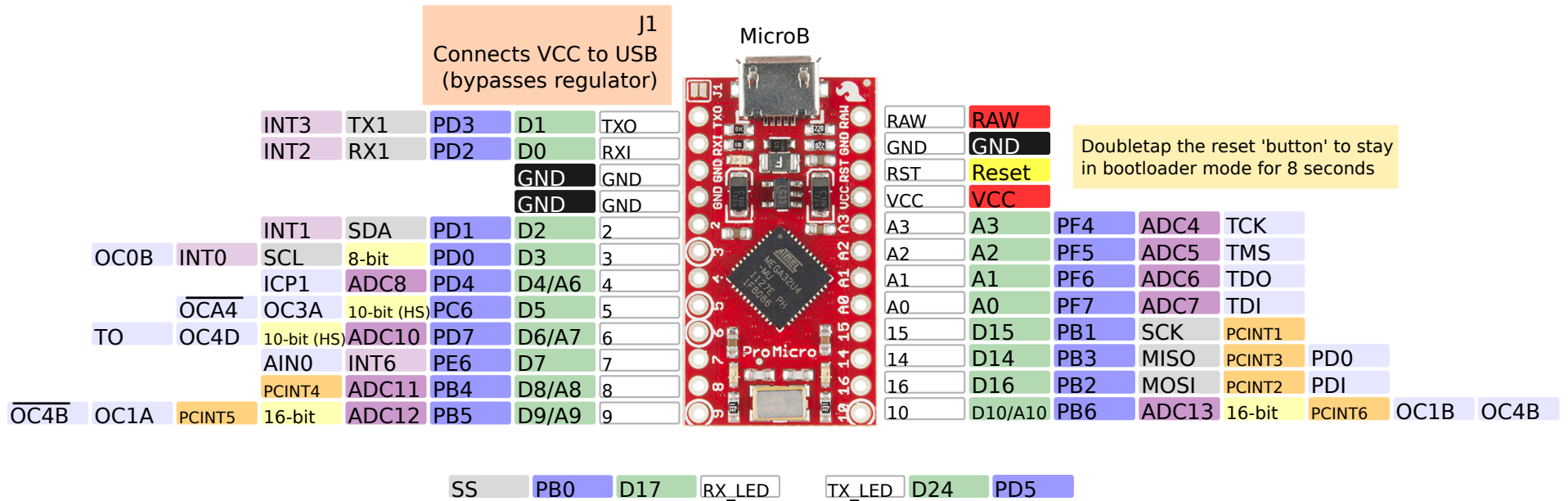


Pro Micro (Dev-12587)

8MHz/3.3V

Name	ADC
Power	PWM
GND	Serial
Control	Ext Interrupt
Arduino	PC Interrupt
Port	Misc

The Arduino IDE renders all PWM pins as 8-bit



Power

RAW: 4V-16V
VCC: 3.3V at 500mA

USB

HID enabled
VID: 0x1B4F
PID: 0x9203 (bootloader); 0x9204 (sketch)

ATmega32U4

Built in USB 2.0
Absolute maximum VCC: 6V
Maximum current for chip: 200mA
Maximum current per pin: 40mA
Recommended current per pin: 20mA
8-bit Atmel AVR
Flash Program Memory: 32kB
EEPROM: 1kB
Internal SRAM 2.5kB
ADC: 10-bit
PWM: 8-bit
High Speed PWM with programmable resolution from 2-11 bits

LEDs

Power: Red
RX: Yellow
TX: Green

Serial

Use Serial for the USB connection
Use Serial1 for the hardware serial connection

sparkfun.
ELECTRONICS

CC BY SA