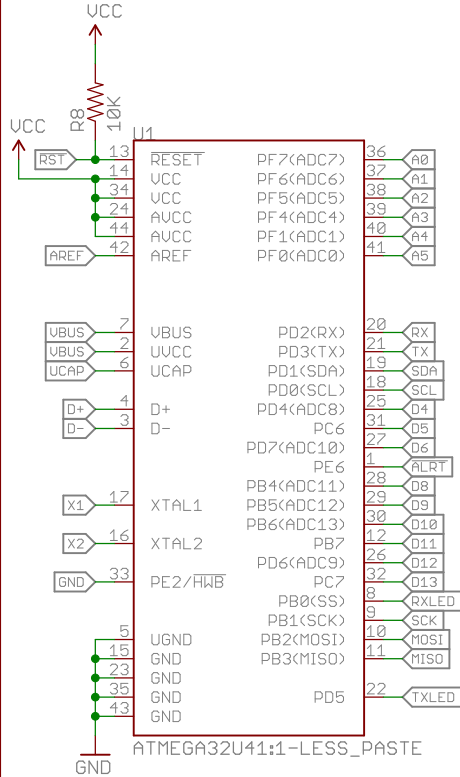
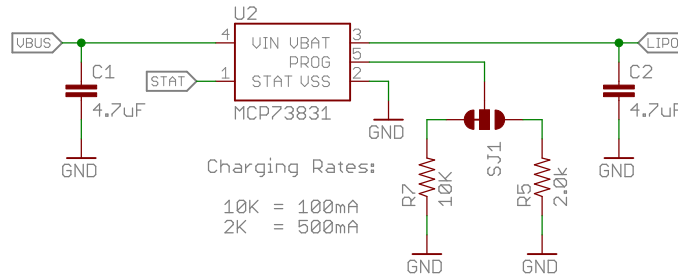


ATmega32U4
 VCC = 3.3V & F_OSC = 8MHz

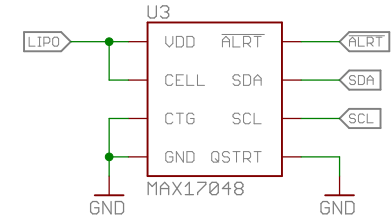


LiPo Charger Circuit

Set for 100mA charging

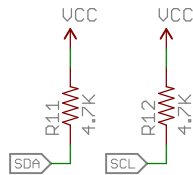


Battery Fuel Gauge

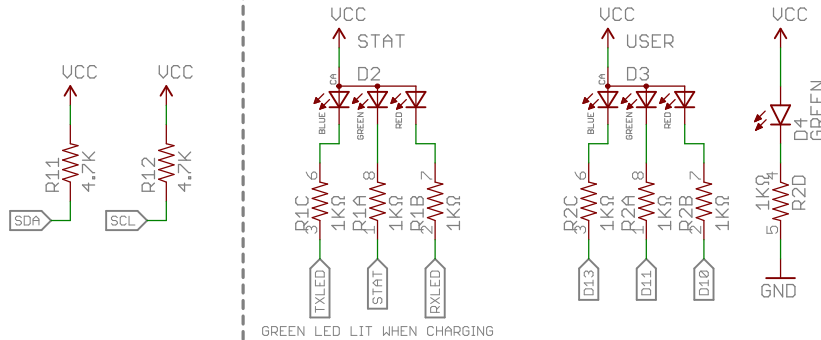


I2C ADDRESS = 0x36

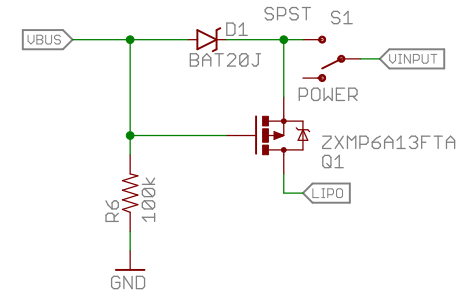
I2C PULLUPS



Status LEDs

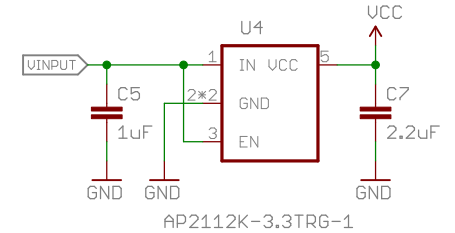


Autoswitching Power

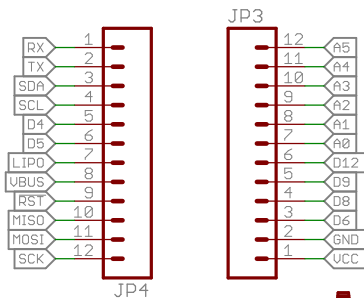


Voltage Regulator

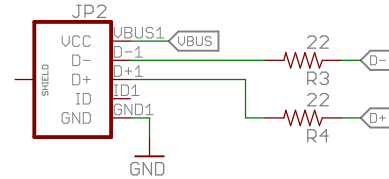
3.3V @ 500mA max.



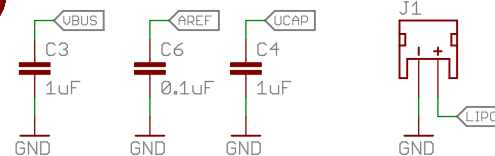
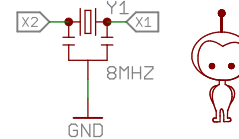
Qduino Mini Layout



USB BUS (USB spec voltages)



Resonator



Released under the Creative Commons Attribution Share-Alike 4.0 License
<https://creativecommons.org/licenses/by-sa/4.0/>

TITLE: Qduino_Mini

Design by: Quin from Qtechknow
 Revised by: Brent Wilkins

REV: v14

Date: 1/7/2016 12:30:50 PM

Sheet: 1/1

