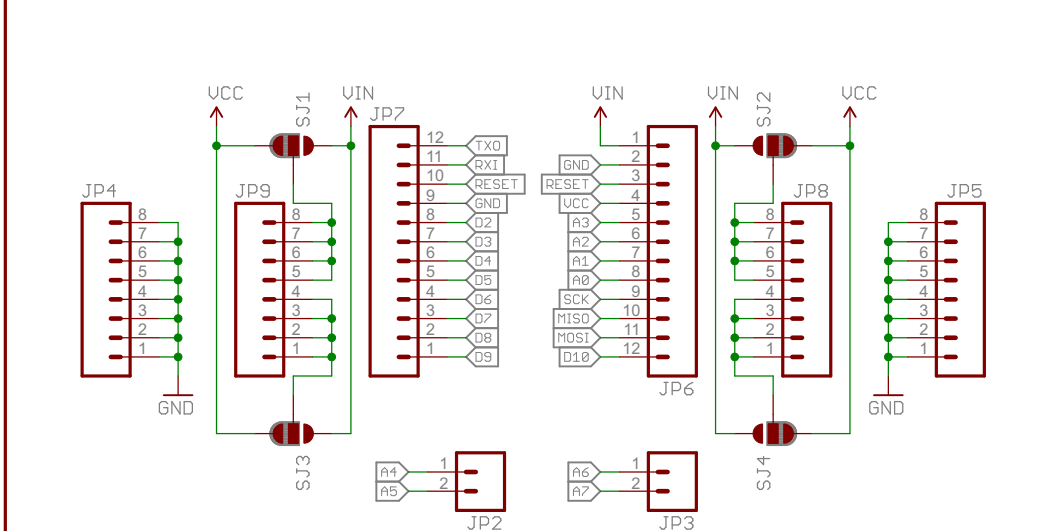
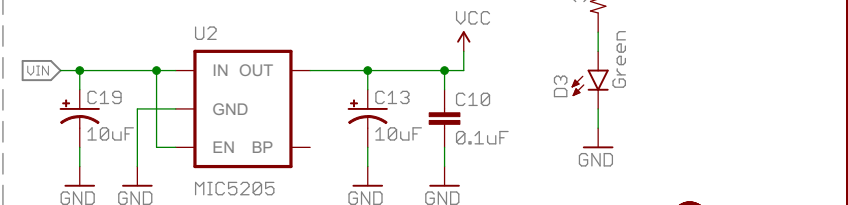


UART Selection
MiP <-> Programming Port

Expansion Headers



VIN - Battery Voltage (4.8V - 6V)
VCC - 3.3V



Released under the Creative Commons Attribution Share-Alike 4.0 License https://creativecommons.org/licenses/by-sa/4.0/	
TITLE: Sparkfun_MiP_ProMini-Pack	
Design by Casey Kuhns	REV: v10
Date: 12/4/2014 7:38:18 AM	Sheet: 1/1