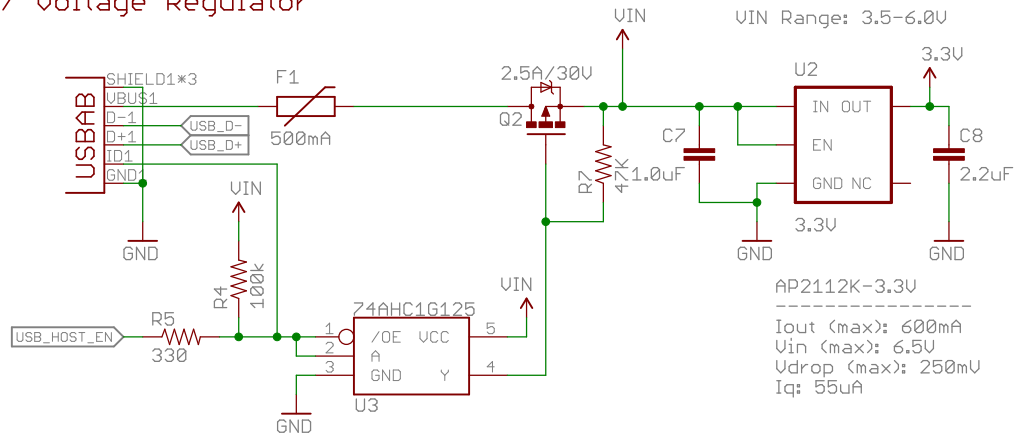
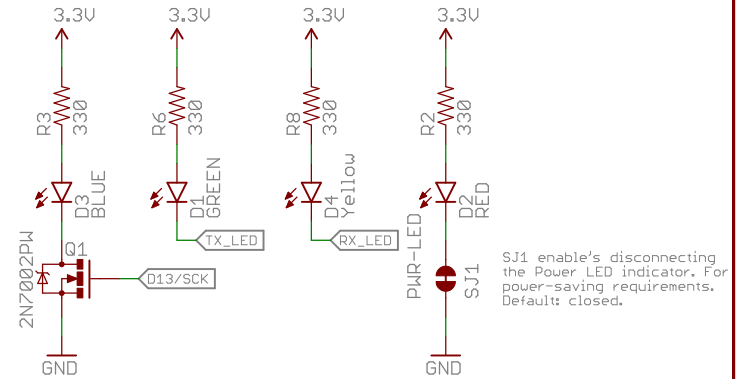


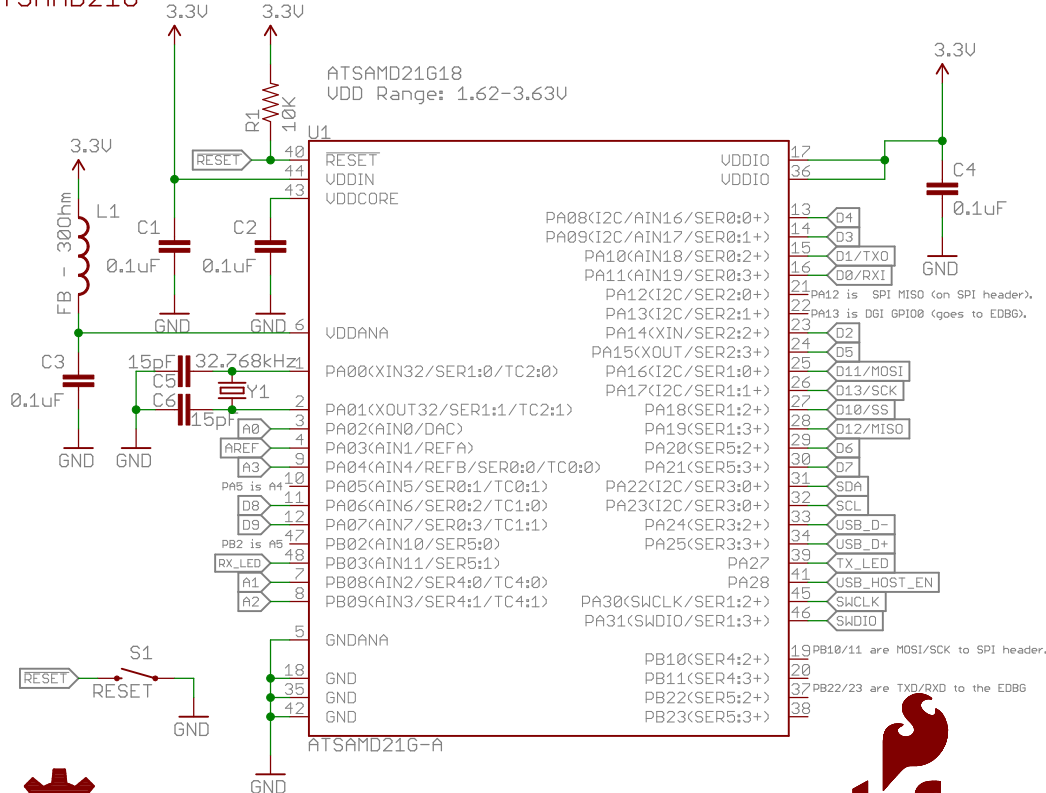
USB / Voltage Regulator



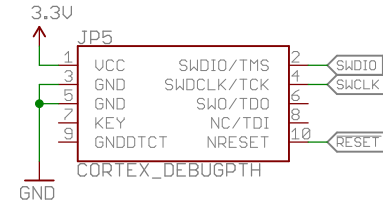
LEDs!!!



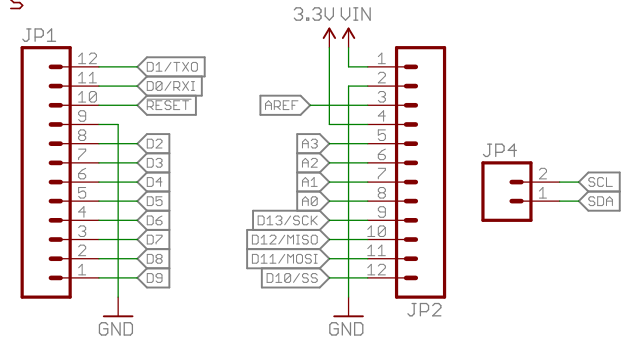
ATSAMD21G



Cortex Debug/Program Connector



Headers



Released under the Creative Commons Attribution Share-Alike 4.0 License
<https://creativecommons.org/licenses/by-sa/4.0/>

TITLE: sparkfun-samd21-mini-breakout-v10

Design by: Jim Lindblom
 Based on: Arduino Zero by Arduino.cc, Arduino M0 by Arduino.org
 REV: v10

Date: 11/12/2015 10:37:50 AM Sheet: 1/1