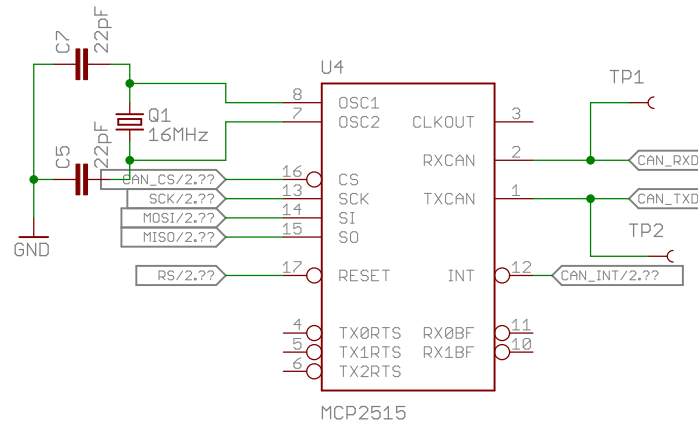
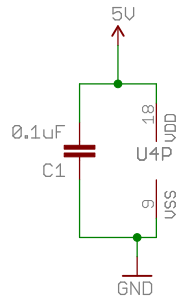
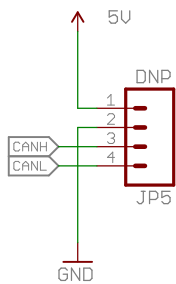
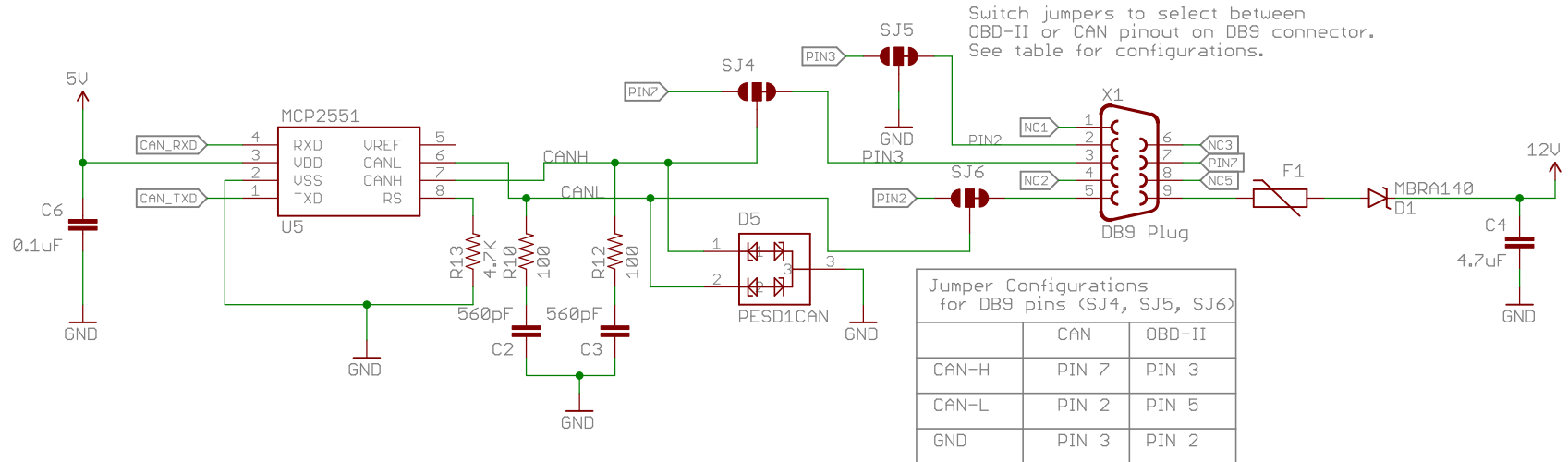


# CAN Bus



[www.skpang.co.uk](http://www.skpang.co.uk)

Released under the Creative Commons Attribution Share-Alike 4.0 License  
<https://creativecommons.org/licenses/by-sa/4.0/>

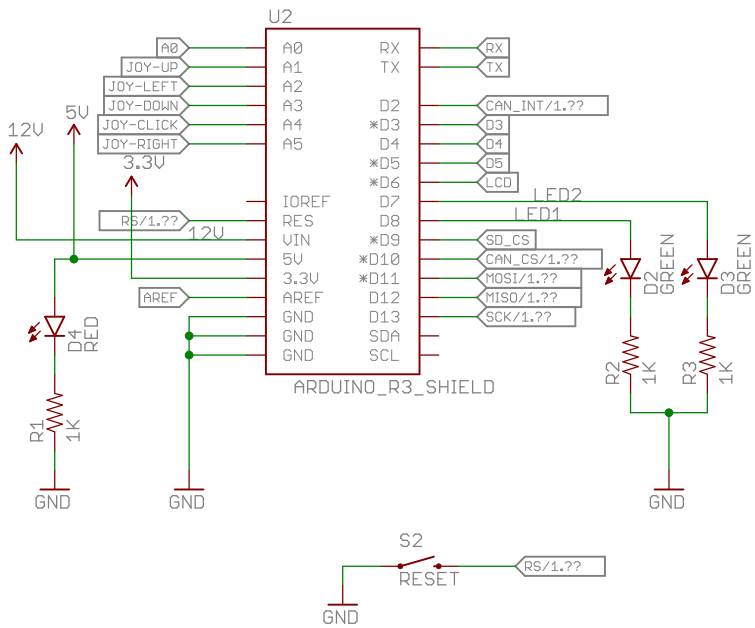
TITLE: SparkFun\_CAN-Bus\_Shield

Design by: Sukkin Pang  
 Revision By: Toni Klopfenstein  
 REV: v13

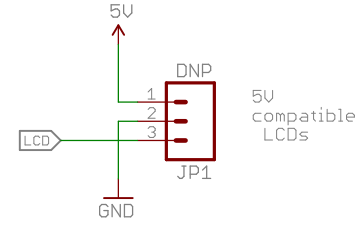
Date: 10/5/2015 12:45:20 PM  
 Sheet: 1/2



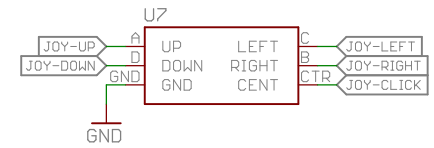
# Arduino Connections



# LCD

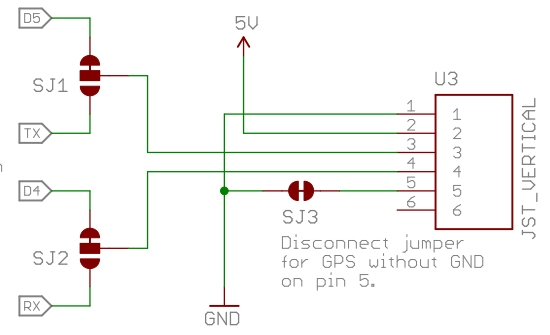


# Joystick

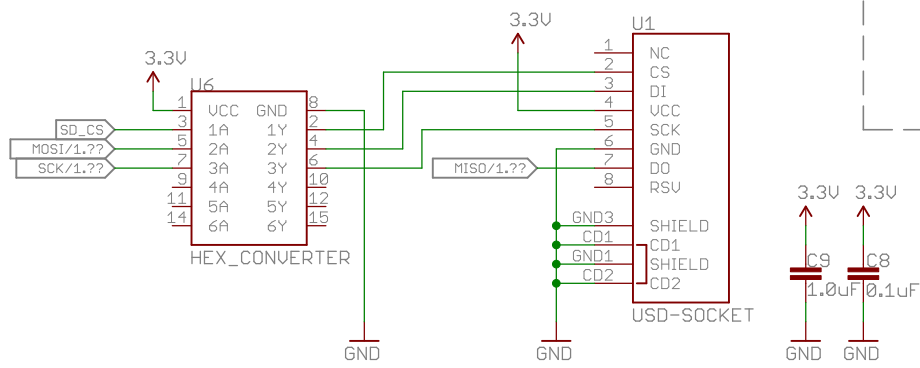


# GPS

Change jumpers to select GPS communication on Software Serial or UART



# microSD



Released under the Creative Commons Attribution Share-Alike 4.0 License  
<https://creativecommons.org/licenses/by-sa/4.0/>

**TITLE:** SparkFun\_CAN-Bus\_Shield

<b>Design by:</b> Revision by: Toni Klopfenstein	<b>REV:</b> v13
<b>Date:</b> 10/5/2015 12:45:20 PM	<b>Sheet:</b> 2/2