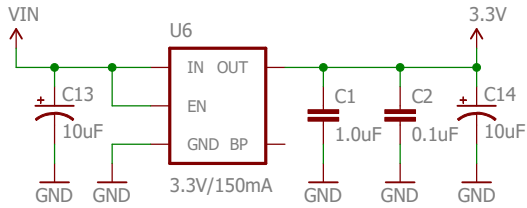
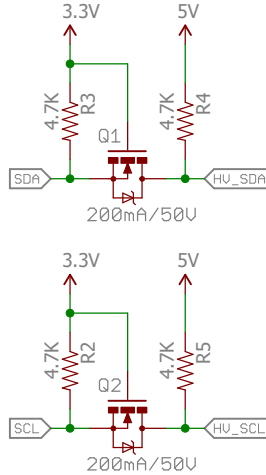


Power

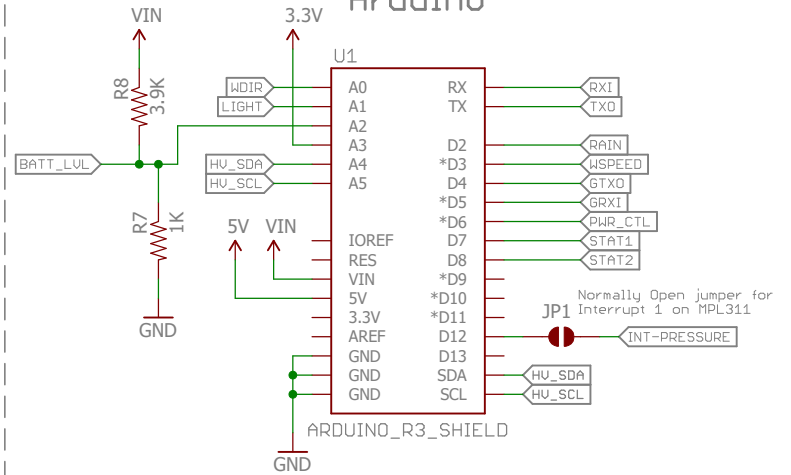


Max Voltage Input: 16VDC
 Max Current Output: 150mA
 Recommended input voltage range: 5-12V

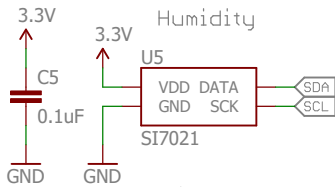
Conversion



Arduino

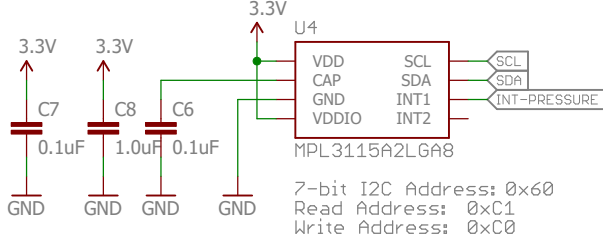


Sensors



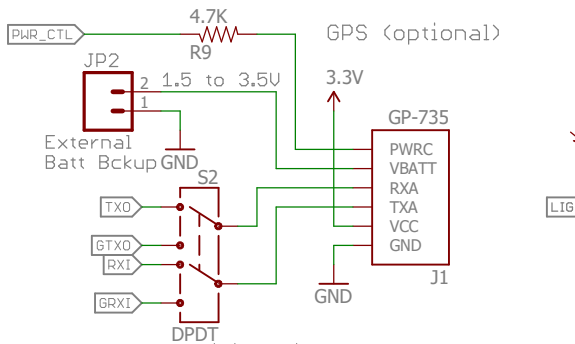
7-bit I2C Address is 0x40
 I2C write is 0x80
 I2C read is 0x81

Pressure



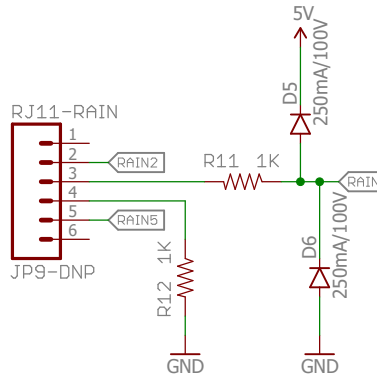
7-bit I2C Address: 0x60
 Read Address: 0xC1
 Write Address: 0xC0

GPS (optional)

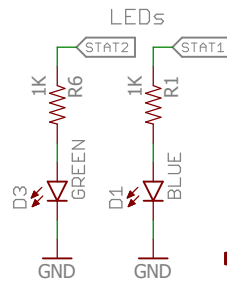
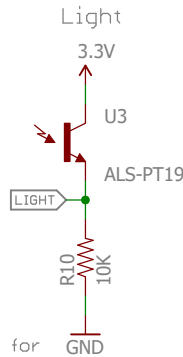
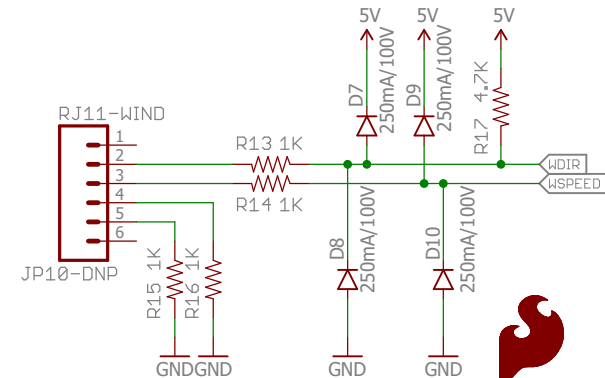


Digital Pins 4 and 5 are used for software serial with switch is set to "Soft".

Rain (optional)



Wind (optional)



Released under the Creative Commons
 Attribution Share-Alike 4.0 License
<https://creativecommons.org/licenses/by-sa/4.0/>

TITLE: Weather Shield_U12

Design by: N. Seidle
 Revision By: Joel Bartlett

REV:
 v1.2



Date: 12/15/2016 11:27 AM

Sheet: 1/1