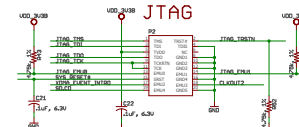
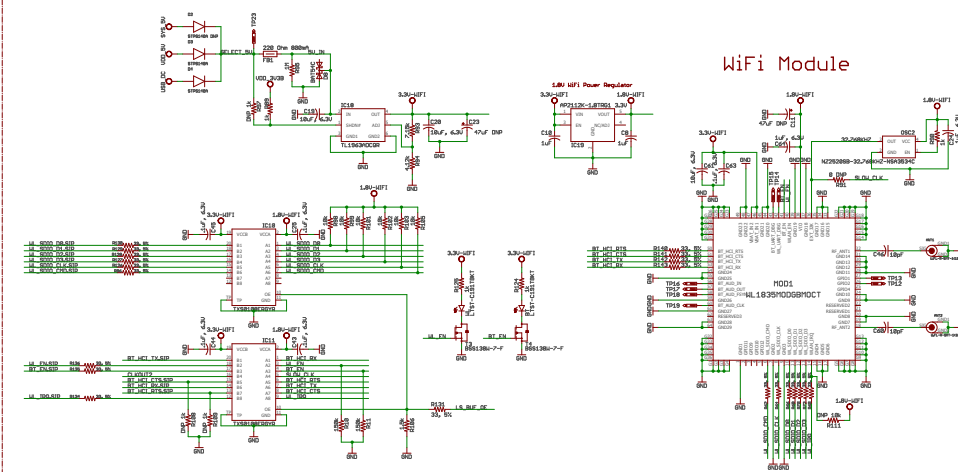
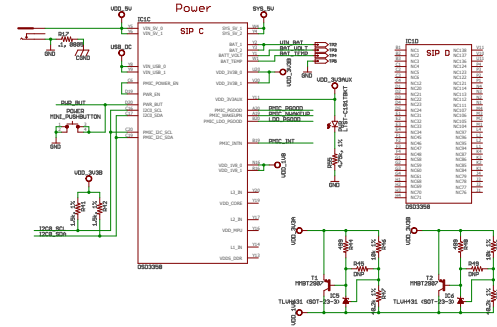
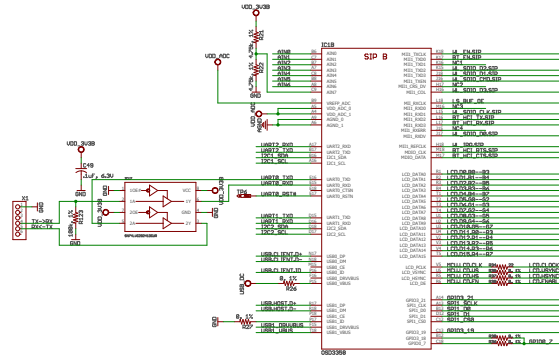
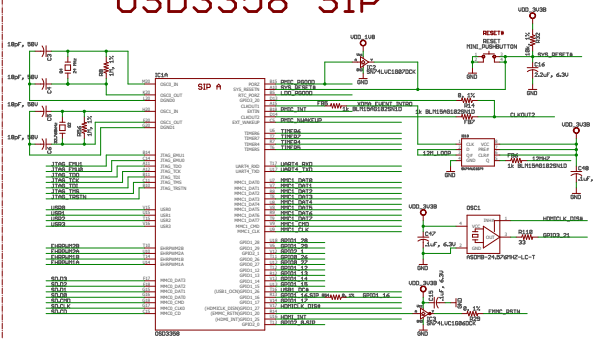
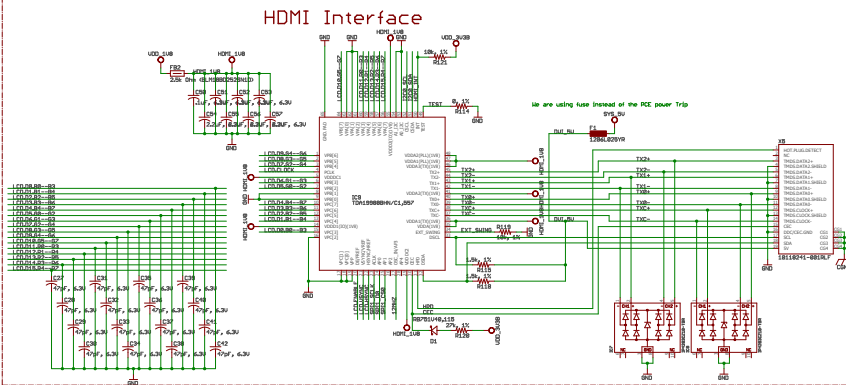
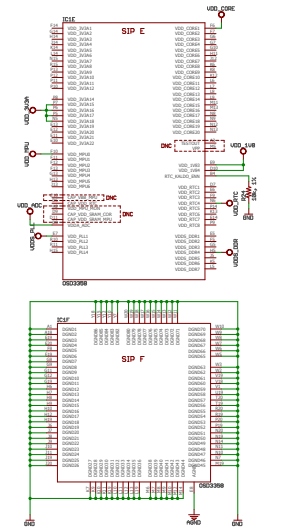
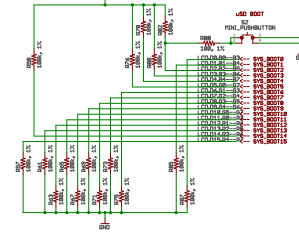


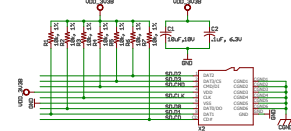
OSD3358 SiP



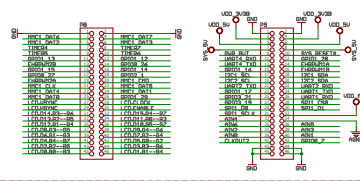
BeagleBone Black Configuration



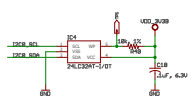
USD Connector



BeagleBone Black Headers



EEPROM



USER LEDs



Prototyped by BH Electronics, LLC

