

NOTE: Close this jumper to provide power to h-bridge using USYS.



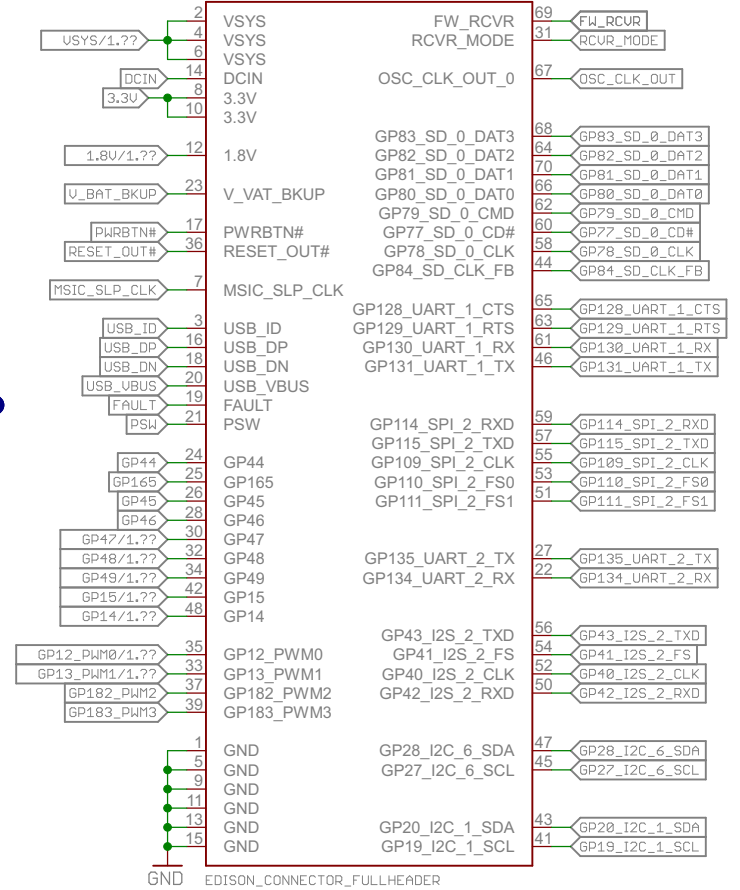
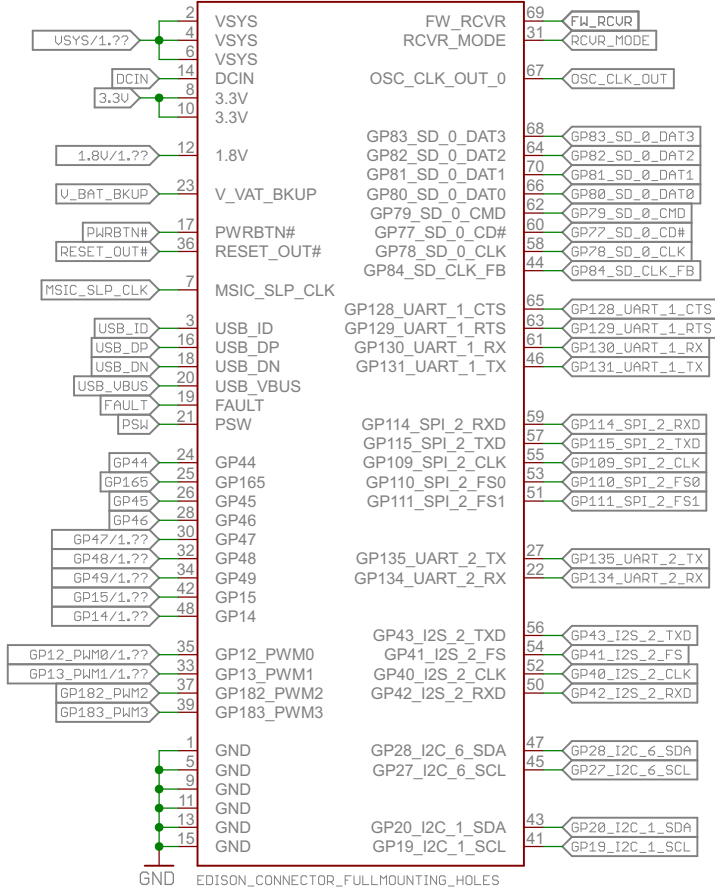
Released under the Creative Commons Attribution Share-Alike 4.0 License https://creativecommons.org/licenses/by-sa/4.0/		⊗ ⊗ ⊗ ⊗
TITLE: Dual_H-Bridge_Block		
Design by Casey Kuhns		REV: v10
Date: 10/22/2014 10:29:18 AM	Sheet: 1/2	

TOP-EDISON

U2 (Bottom Copper)

BOTTOM

Component side (Top Copper)



Released under the Creative Commons Attribution Share-Alike 4.0 License
<https://creativecommons.org/licenses/by-sa/4.0/>

TITLE: Dual_H-Bridge_Block

Design by: _____ REV: _____

Date: 10/22/2014 10:29:18 AM Sheet: 2/2