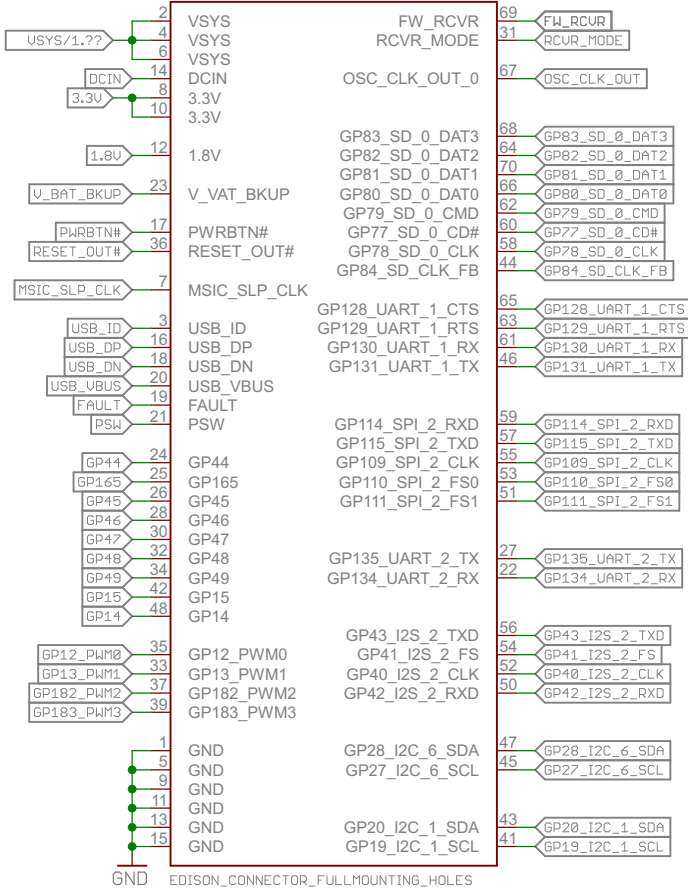


Released under the Creative Commons Attribution Share-Alike 4.0 License https://creativecommons.org/licenses/by-sa/4.0/		⊗ ⊗ ⊗ ⊗
TITLE: Battery_Block		
Design by Casey Kuhns		REV: v10
Date: 10/21/2014 8:16:36 AM	Sheet: 1/2	

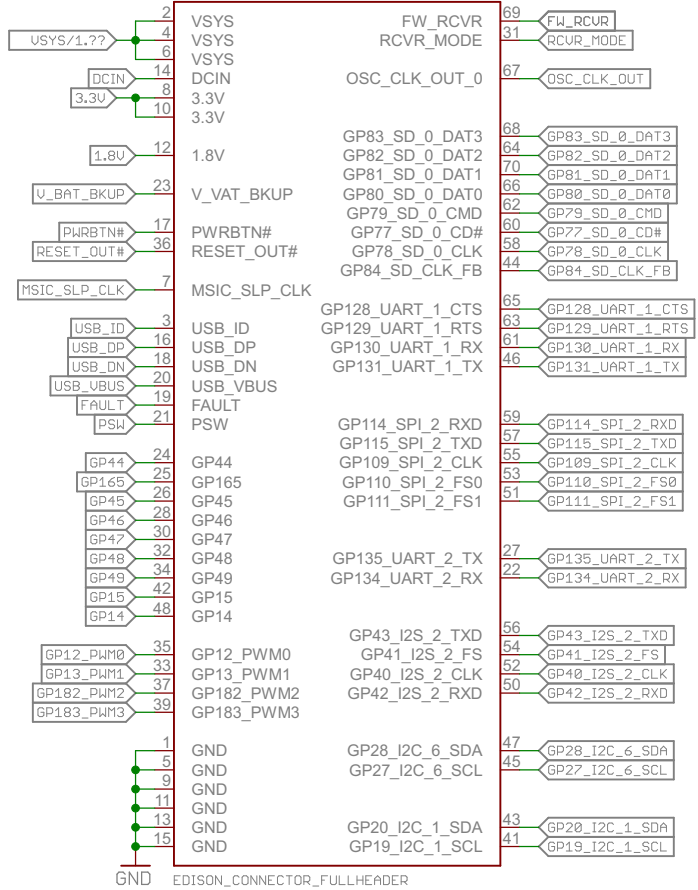
TOP-EDISON

U2 (Bottom Copper)



BOTTOM

Component side (Top Copper)



Released under the Creative Commons Attribution Share-Alike 4.0 License
<https://creativecommons.org/licenses/by-sa/4.0/>

TITLE: Battery_Block

Design by: _____ REV: _____

Date: 10/21/2014 8:16:36 AM Sheet: 2/2