

Released under the Creative Commons Attribution Share-Alike 4.0 License 

<https://creativecommons.org/licenses/by-sa/4.0/>

TITLE: arduino_block

Design by: Jim Lindblom

Date: 10/21/2014 1:31:14 PM

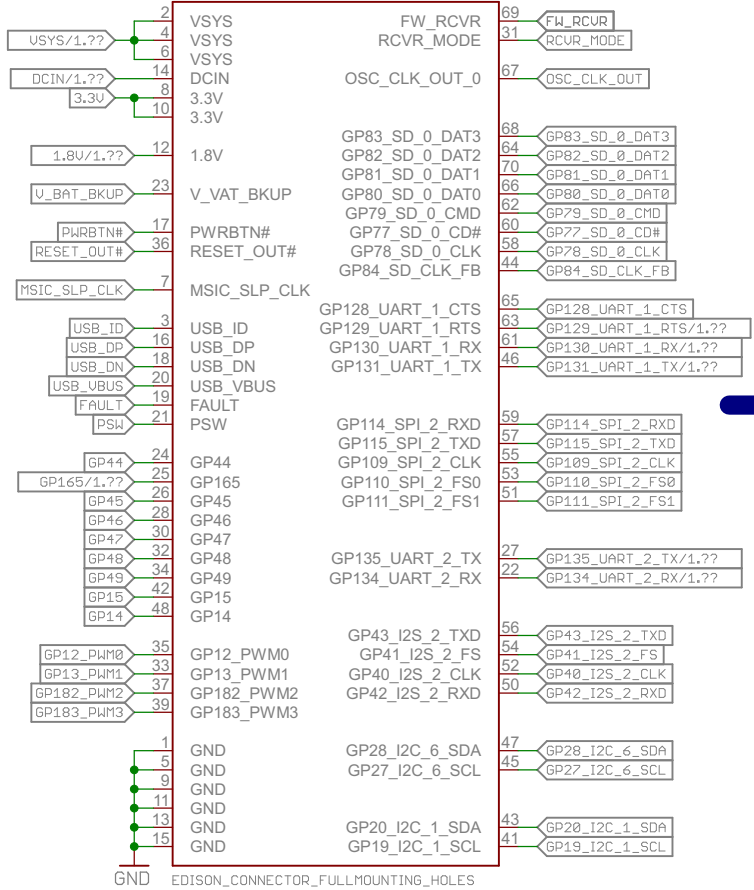
REV: v10

Sheet: 1/2



TOP-EDISON

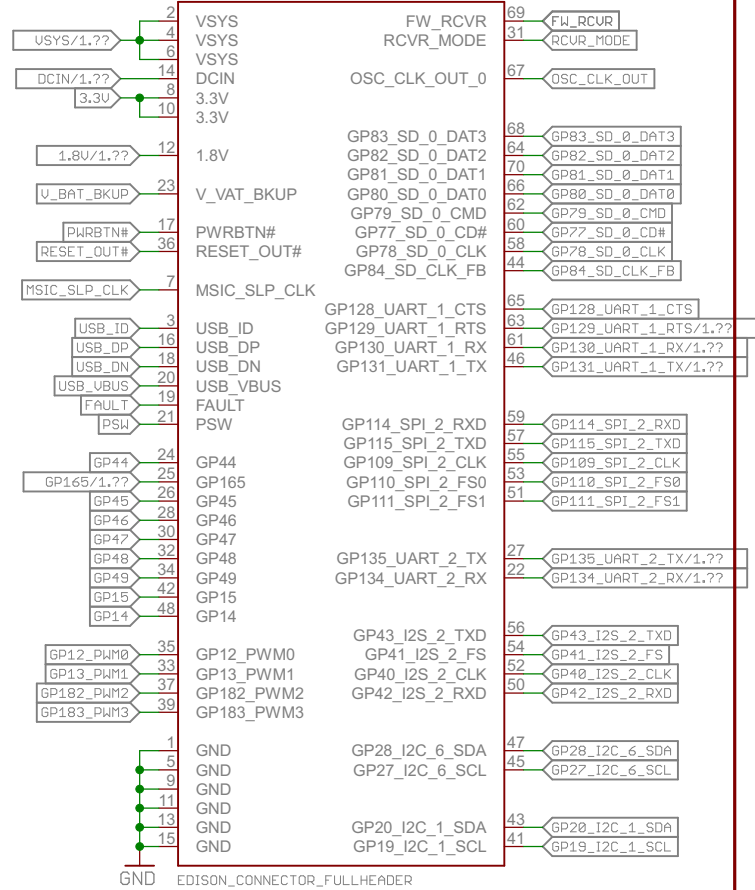
U2 (Bottom Copper)



GND EDISON_CONNECTOR_FULLMOUNTING_HOLES

BOTTOM

Component side (Top Copper)



GND EDISON_CONNECTOR_FULLHEADER

Released under the Creative Commons Attribution Share-Alike 4.0 License
<https://creativecommons.org/licenses/by-sa/4.0/>

TITLE: arduino_block

Design by:

REV:

Date: 10/21/2014 1:31:14 PM

Sheet: 2/2