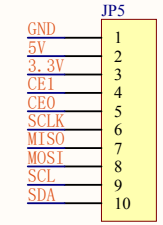
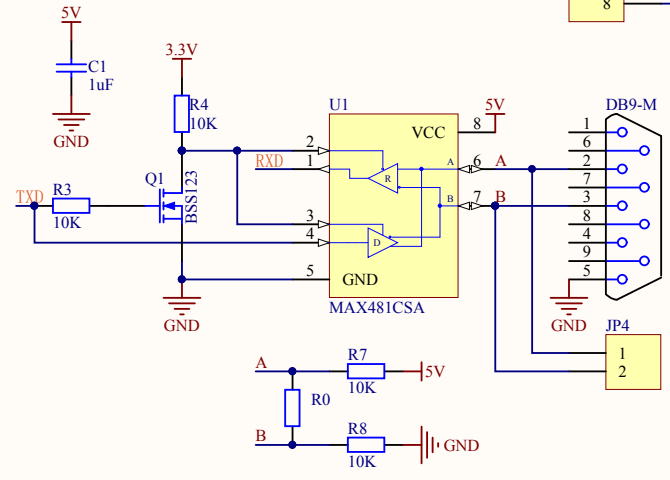
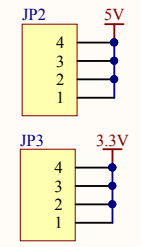
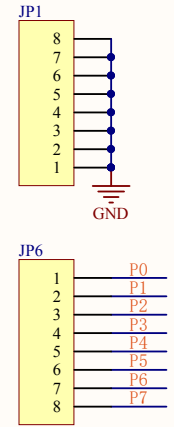
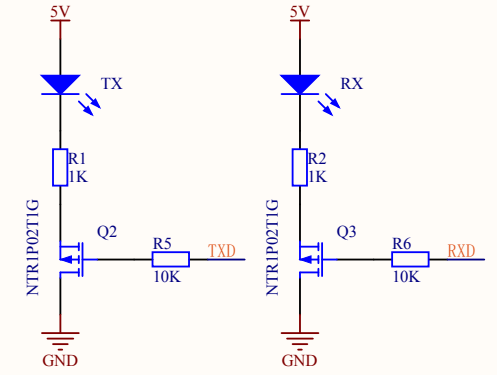


3V3	1	2	5V
IIC SDA	3	4	5V
IIC SCL	5	6	Ground
GPIO 4	7	8	TXD
Ground	9	10	RXD
GPIO 17	11	12	GPIO 18
GPIO 27	13	14	Ground
GPIO 22	15	16	GPIO 23
3V3	17	18	GPIO 24
MOSI	19	20	Ground
MISO	21	22	GPIO 25
SCLK	23	24	CE0
Ground	25	26	CE1

3.3V	1	2	5V
SDA	3	4	5V
SCL	5	6	GND
P7	7	8	TXD
GND	9	10	RXD
P0	11	12	P1
P2	13	14	GND
P3	15	16	P4
3.3V	17	18	P5
MOSI	19	20	GND
MISO	21	22	P6
SCLK	23	24	CE0
GND	25	26	CE1



Title		
Size	Number	Revision
A4		
Date:	2014/9/19	Sheet of
File:	F:\raspberry Pi\...(NEW)RS485 shield for RPi\SchDoc	