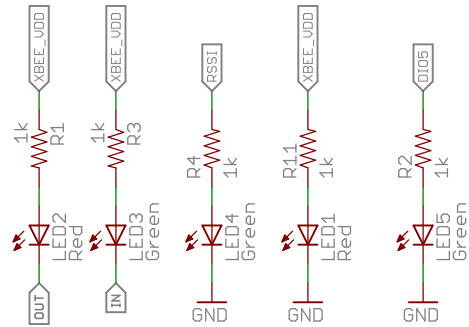
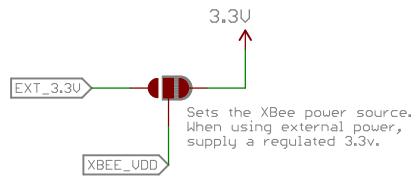


LEDs

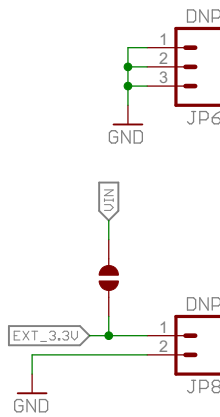


Power

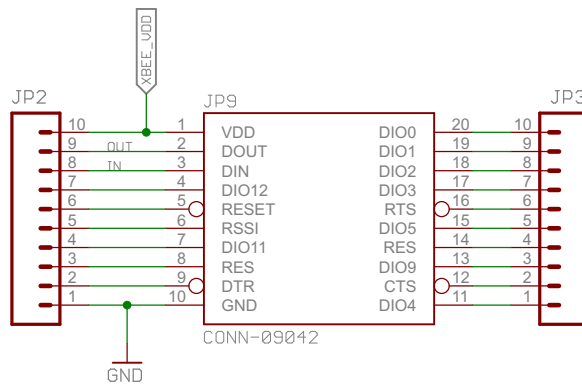
The Teensy regulates 3.3v up to 100mA



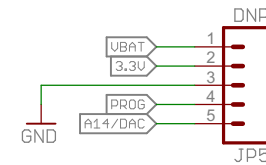
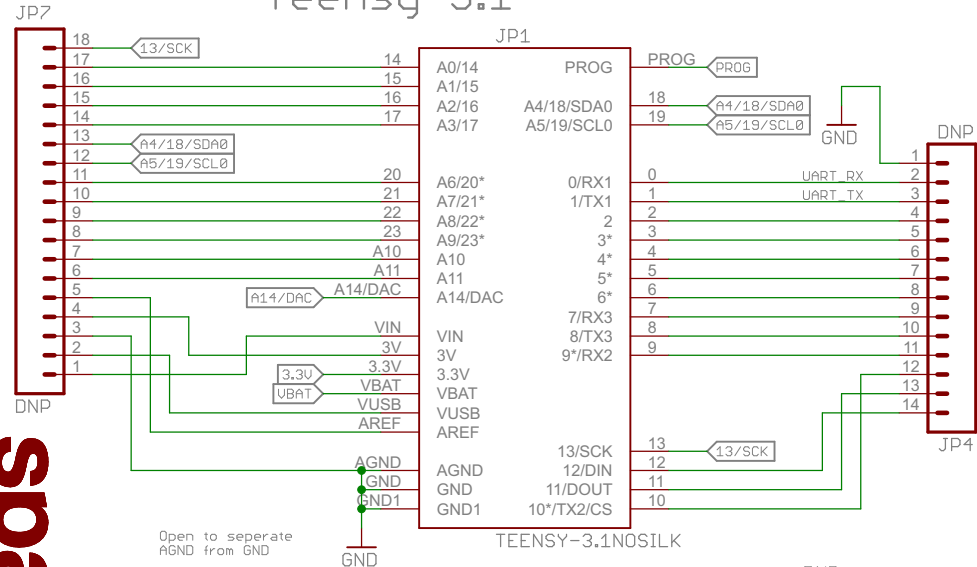
Bridge UIN-EXT_PWR jumper to source Teensy from EXT_PWR. Supply a regulated 3.3 volts.
CAUTION: Do not attach USB in this mode unless the Teensy's USB-UIN jumper has been opened.



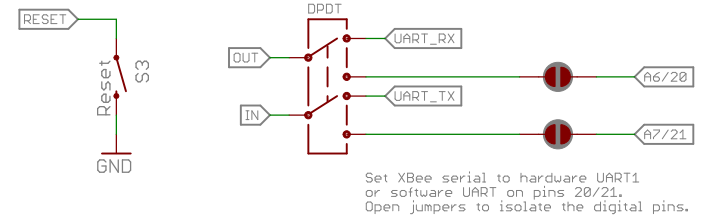
XBee



Teensy 3.1



Switches



Set XBee serial to hardware UART1 or software UART on pins 20/21. Open jumpers to isolate the digital pins.

Released under the Creative Commons Attribution Share-Alike 4.0 License
<https://creativecommons.org/licenses/by-sa/4.0/>

TITLE: Teensy_3_1 XBee Adapter

Design by: Marshall Taylor

REV:
v10

Date: 6/17/2015 9:38:18 AM

Sheet: 1/1

