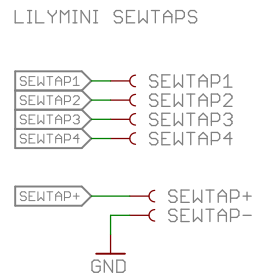
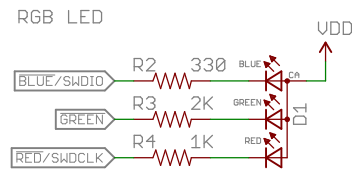
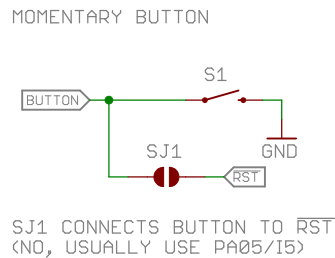
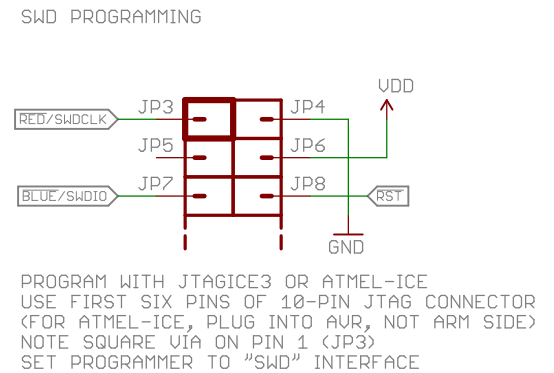
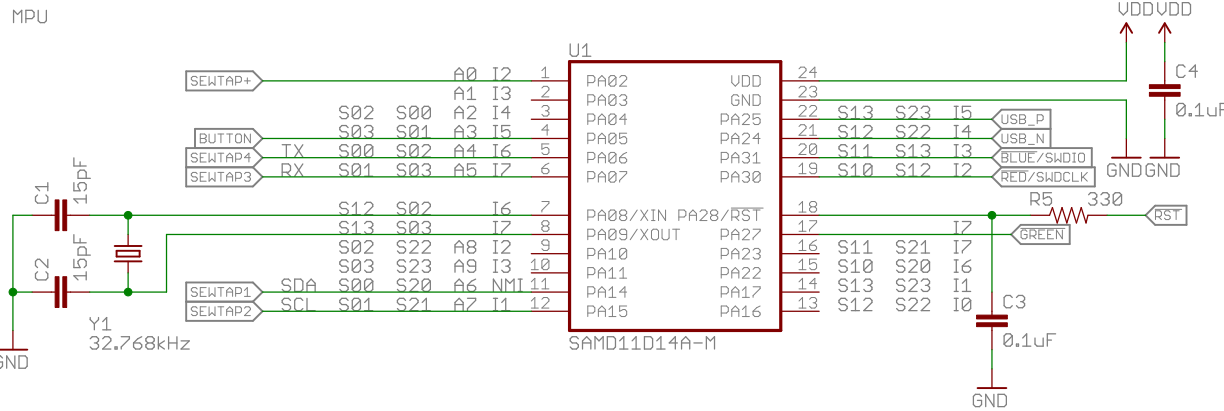
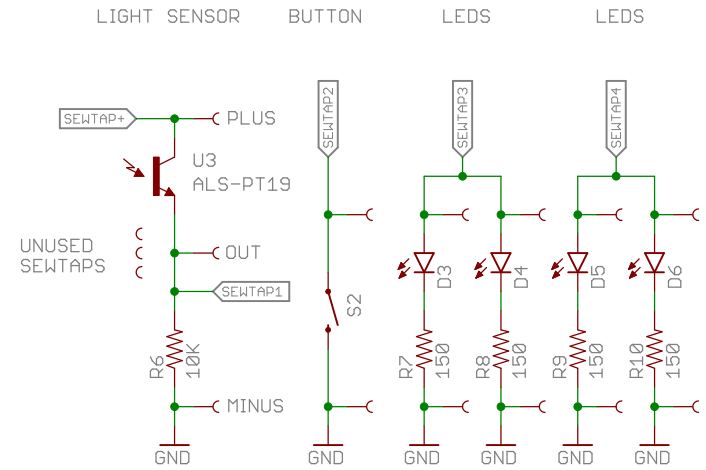



NOTE: DO NOT BACKPOWER BOARD THROUGH SEWTAP+ (OUTPUT ONLY) USE AUX VIN (3.5 TO 6V, AVOID CONTENTION WITH USB)



sparkfun  **open hardware**

Released under the Creative Commons Attribution Share-Alike 4.0 License https://creativecommons.org/licenses/by-sa/4.0/		
TITLE: LilyMini_Protosnap		LilyPad
Design by: Mike Grusin and Angela Sheehan		REV: 10
Date: 12/14/2016 12:49 PM	Sheet: 1/1	